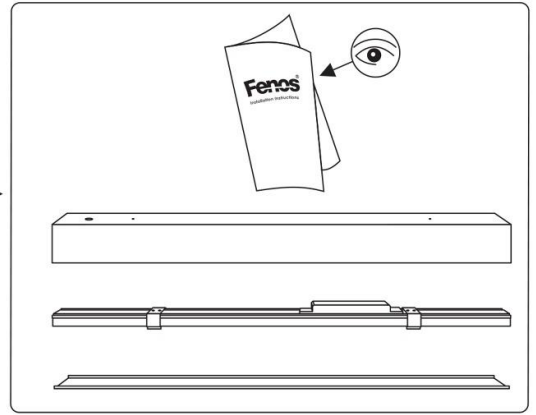
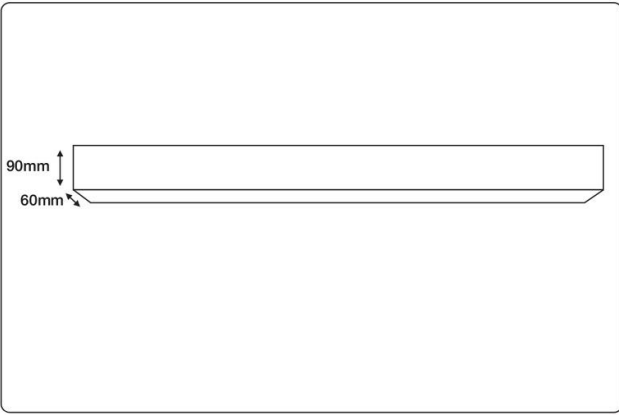
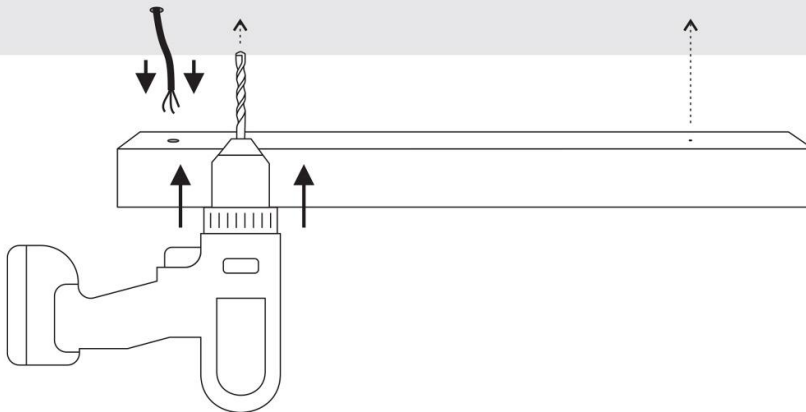


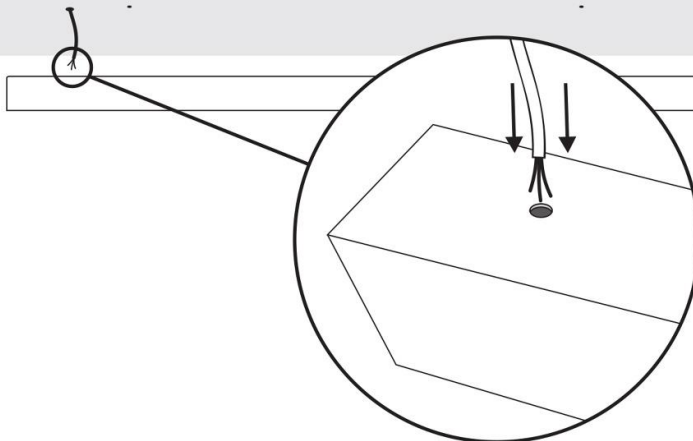
### A



### B



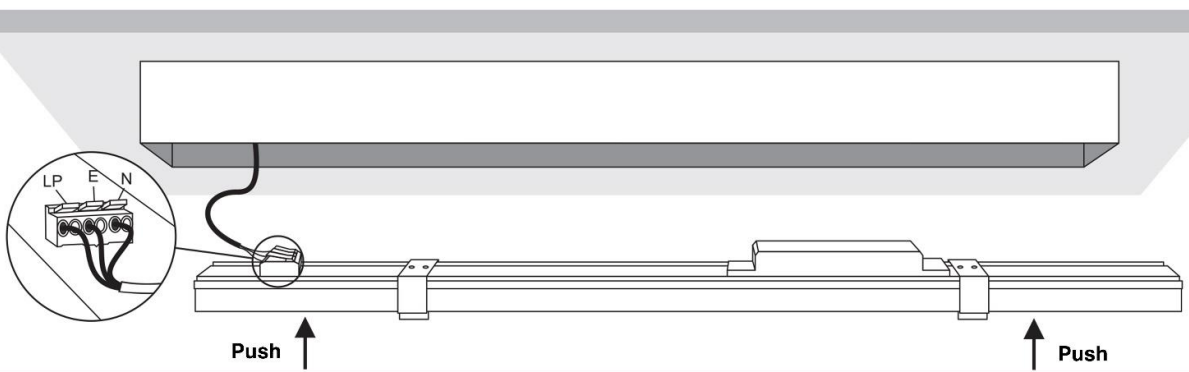
### C



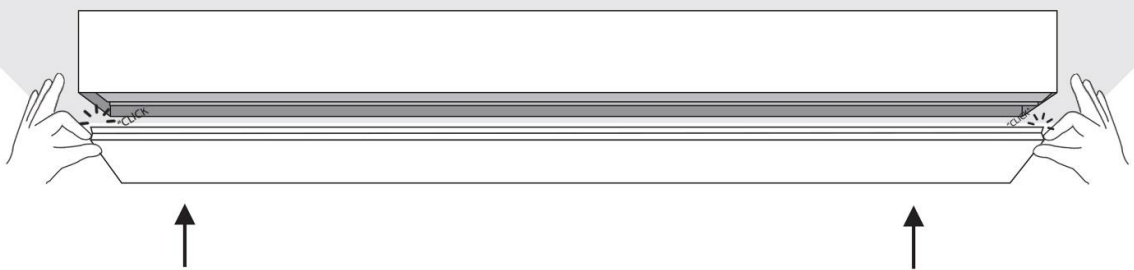
### D



### E



### F

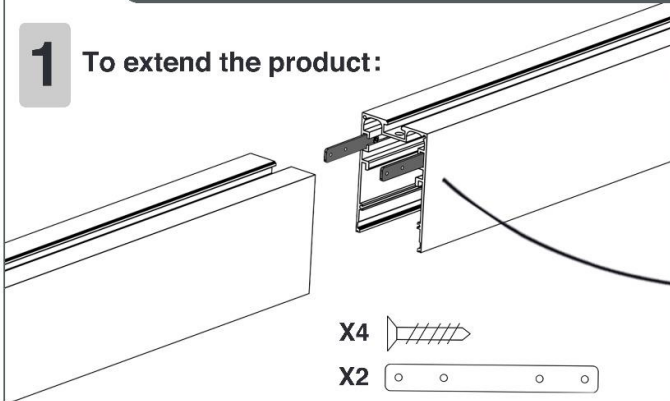


### G



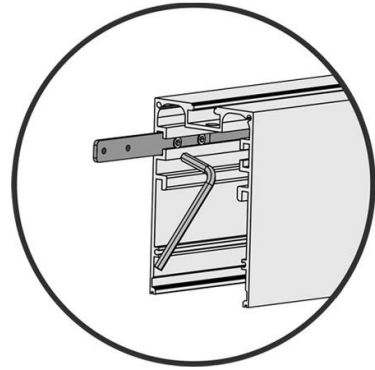
### H

**1** To extend the product:

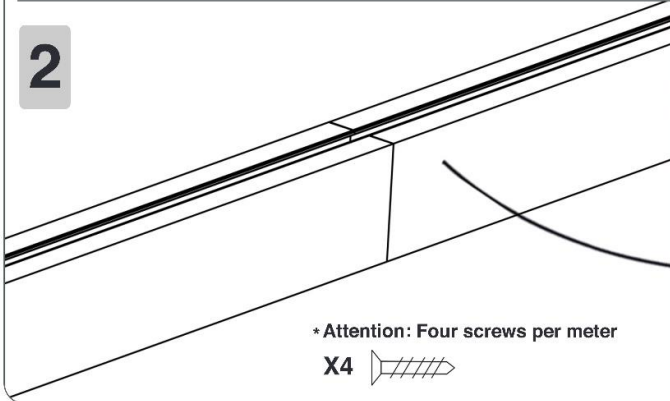


X4 

X2 

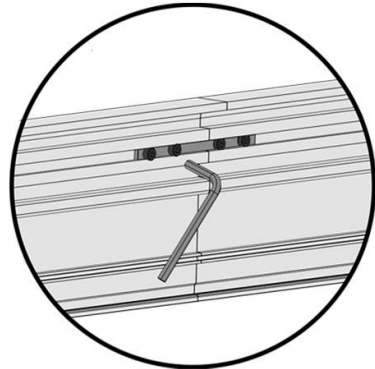


### 2

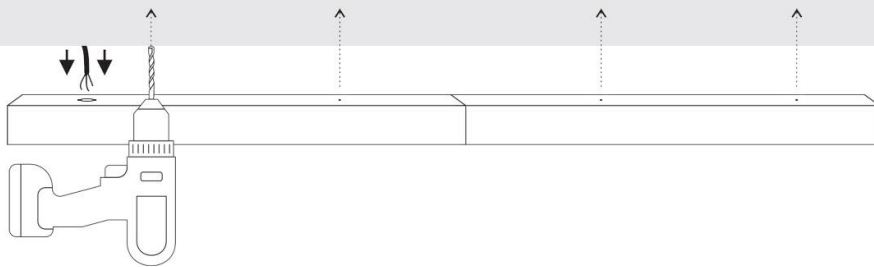


\* Attention: Four screws per meter

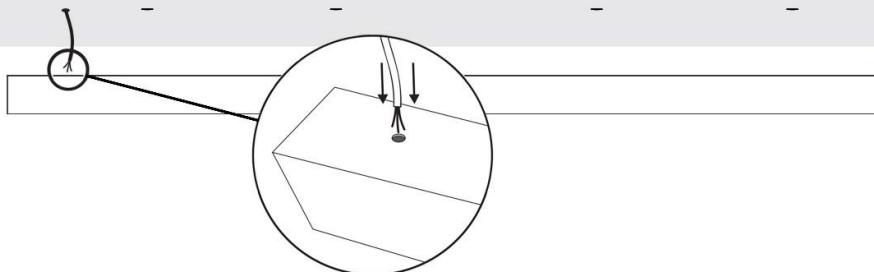
X4 



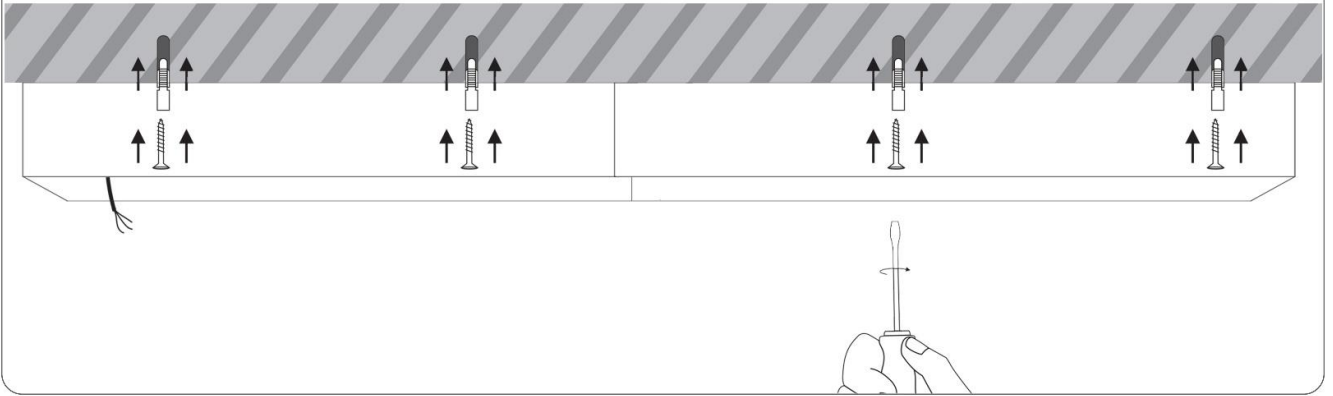
### I



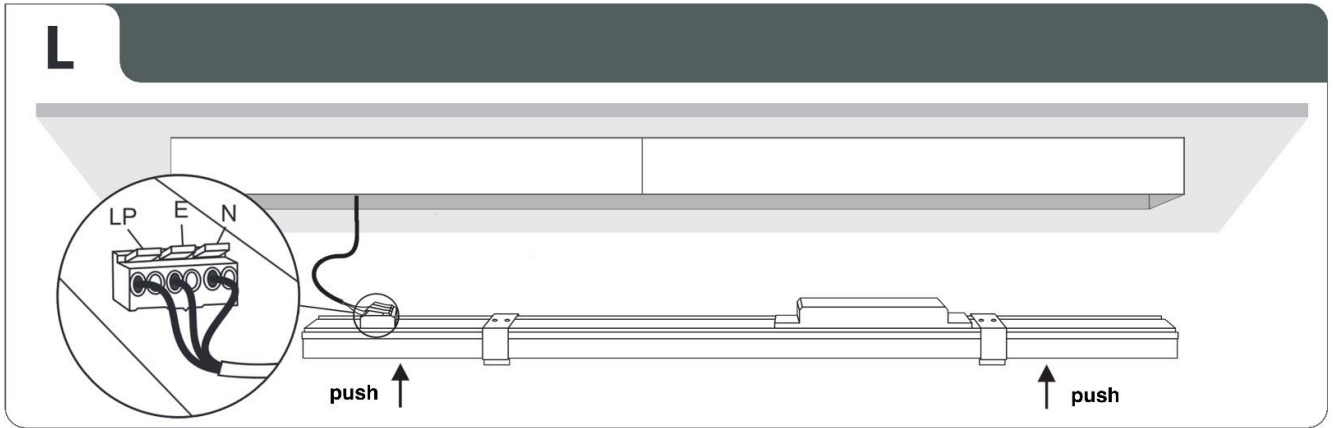
### J



### K



### L



### M



### N

