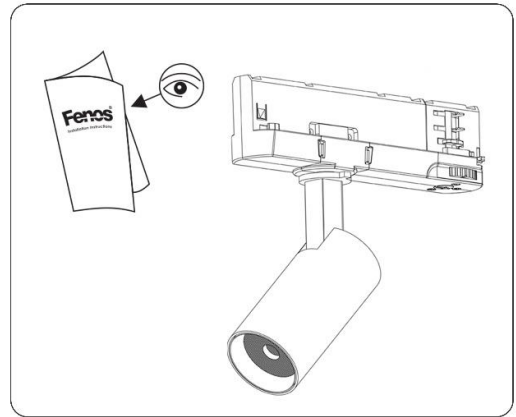
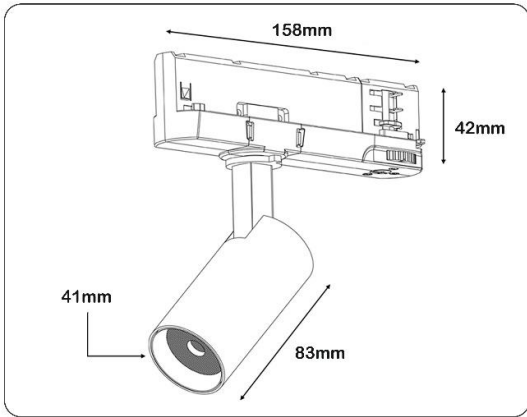
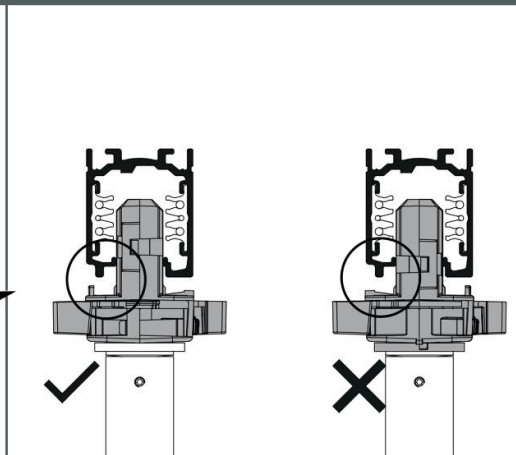
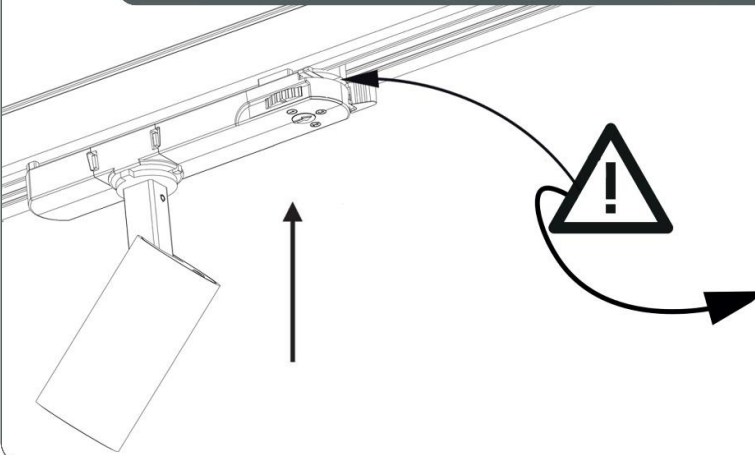


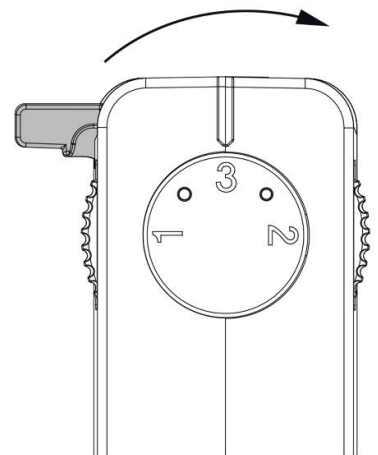
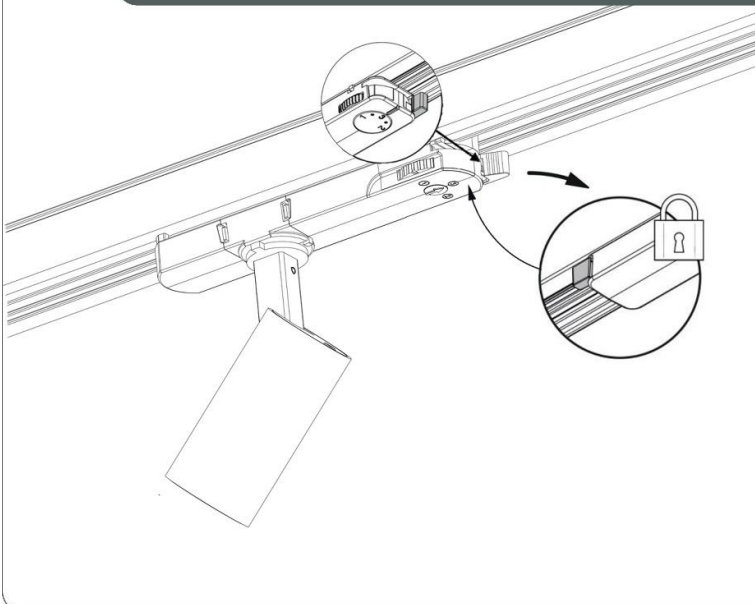
A



B

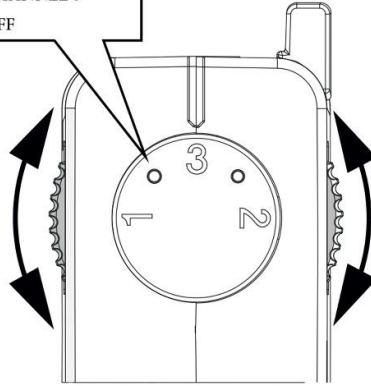


C



D

- 1 - CHANNEL 1
- 2 - CHANNEL 2
- 3 - CHANNEL 3
- 0 - OFF



E

