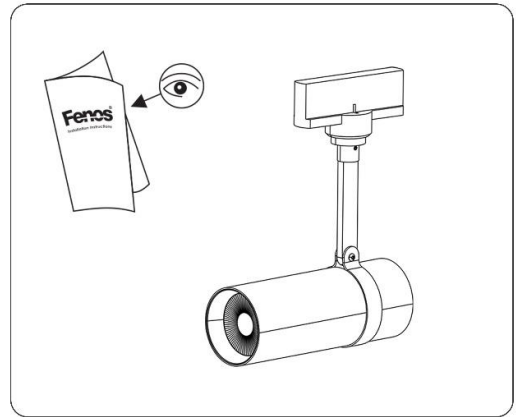
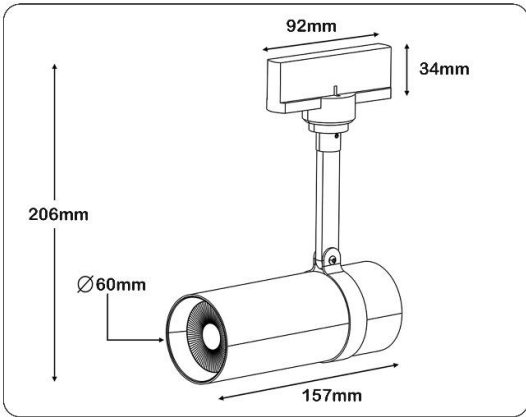
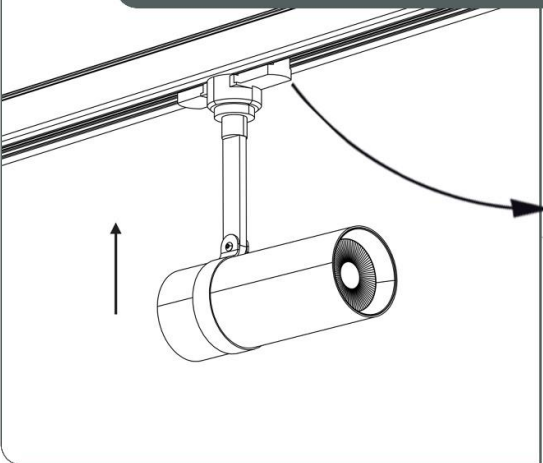


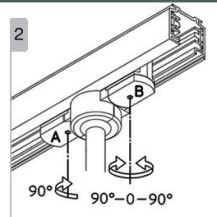
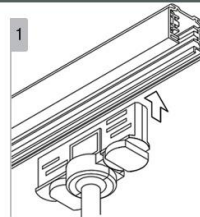
A



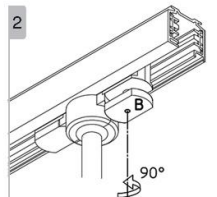
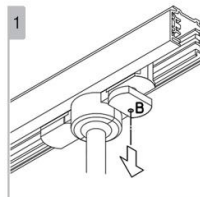
B



To Connect:



To Disconnect:



C

