

# Sira TR 1616

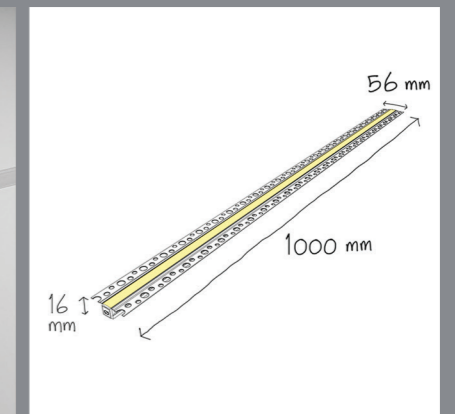
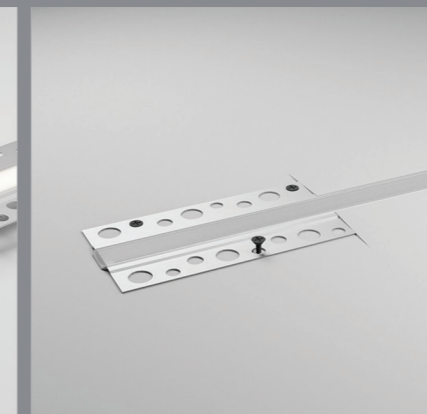
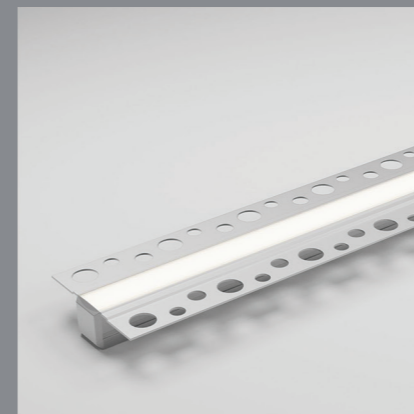
Linear Light



## Sira TR 1616




Linear Light



CODE	F468
Light source	LED
Power (W)	10
luminous flux (lm)	1100
Color Rendering (Ra)	>80
Color Temperature (K)	3000   4000*
Body Color	Silver

IP 20 17 mm 

 0.24 kg/m

 1270 x 100 cm

**Supply Voltage:**  
220-240 Vac, 50Hz

**Driver:**  
DALI | Dimmable version available upon request

**Recommended Applications:**  
Residential | Office | Shop

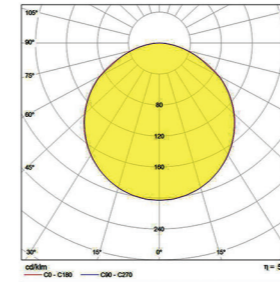
\*Customized body colors and other color temperatures (CCTs) are available upon request

Specific design of the bottom frame with its strips reduce the direct view to the light point and of course glare



## Sira TR 1616

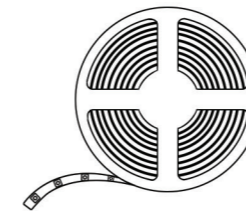
### Light distributions



Wide (W)

### Accessories

Optional



LED Strip  
Refer to page 418

### Order code table

Body Color	Order Code	Beam Angle
Anodized silver	F468ASW	Wide