

Sibron Q Midi

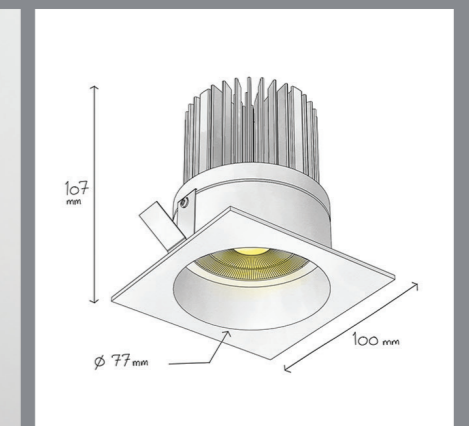
Ceiling Recessed



Sibron Q Midi



Ceiling Recessed



CODE	F141
Light source	LED
Power (W)	20
luminous flux (lm)	2200
Color Rendering (Ra)	>80
Color Temperature (K)	3000 4000*
Body Color	White Black*

*Customized body colors and other color temperatures (CCTs) are available upon request



0.52 kg

20 x 16 x 12 cm

Supply Voltage:
220-240 Vac, 50Hz

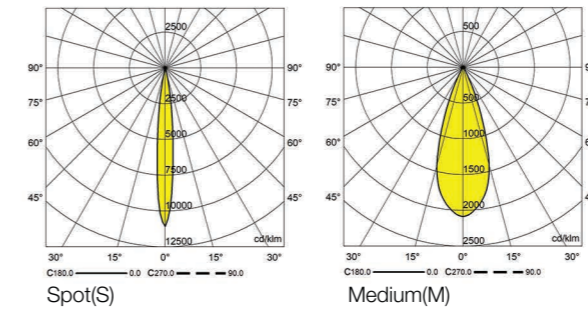
Driver:

DALI | Dimmable version available upon request

Recommended Applications:
Residential | Office | Shop

Sibron Q Midi

Light distributions



▲ Aban Residential / Architect: Gozar Andisheh 2019 ▼

Order code table

Body Color	3000K ●	Beam Angle	4000K ●	Body Color
White	F141W2030S	Spot	F141W2040S	White
	F141W2030M	Medium	F141W2040M	

Body Color	3000K ●	Beam Angle	4000K ●	Body Color
Black	F141B2030S	Spot	F141B2040S	Black
	F141B2030M	Medium	F141B2040M	

