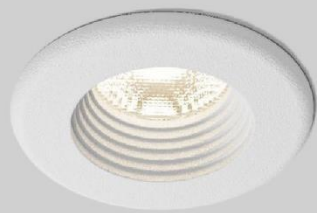


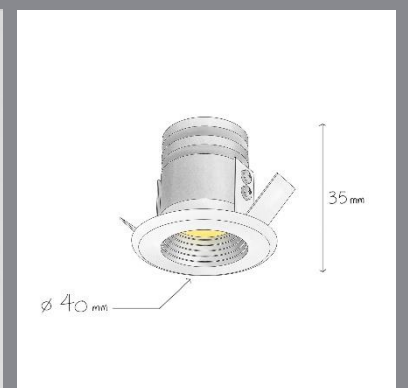
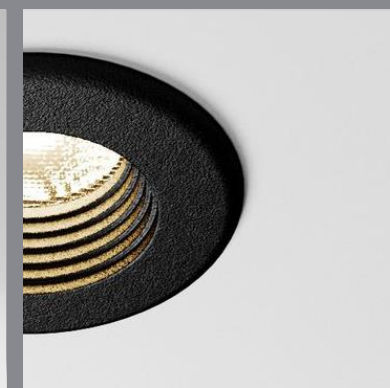
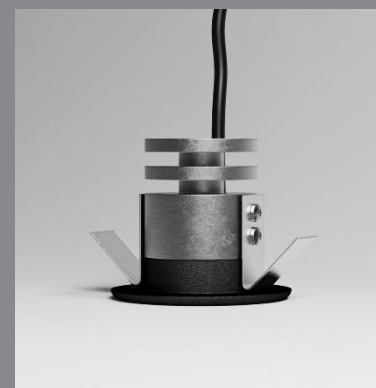
Sibron C Nano

Ceiling Recessed



Sibron C Nano

Ceiling Recessed



CODE	F133
Light source	LED
Power (W)	2
luminous flux (lm)	200
Color Rendering (Ra)	>80
Color Temperature (K)	3000 4000*
Body Color	White Black

IP 20 ⚡ 30 mm

Supply Voltage:
220-240 Vac, 50 Hz

Driver:
DALI | Dimmable version available upon request

Recommended Applications:
Residential | Office | Shop

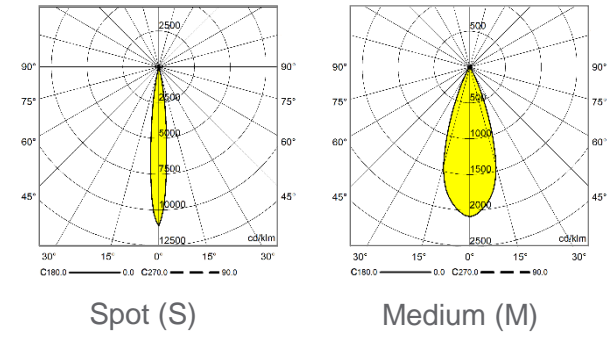
*Customized body colors and other color temperatures (CCTs) are available upon request

Specific design of the bottom frame with its strips reduce the direct view to the light point and of course glare



Sibron C Nano

Light distributions



Accessories

Order code table

Body Color	3000K	Beam Angle	4000K	Body Color
White	F133W230S	Spot	F133W240S	White
	F133W230M	Medium	F133W240M	
Body Color	3000K	Beam Angle	4000K	Body Color
Black	F133B230S	Spot	F133B240S	Black
	F133B230M	Medium	F133B240M	