

Sibron C Micro

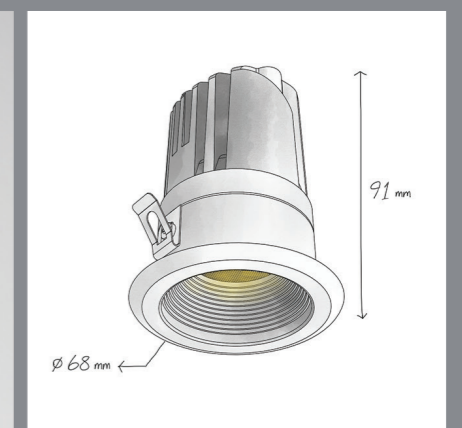
Ceiling Recessed



Sibron C Micro



Ceiling Recessed



CODE	F134
Light source	LED
Power (W)	9
luminous flux (lm)	990
Color Rendering (Ra)	>80
Color Temperature (K)	3000 4000*
Body Color	White Black*

*Customized body colors and other color temperatures (CCTs) are available upon request

IP 20  58 mm  

 0.28 kg

 17 x 13 x 9 cm

Supply Voltage:
220-240 Vac, 50Hz

Driver:

DALI | Dimmable version available upon request

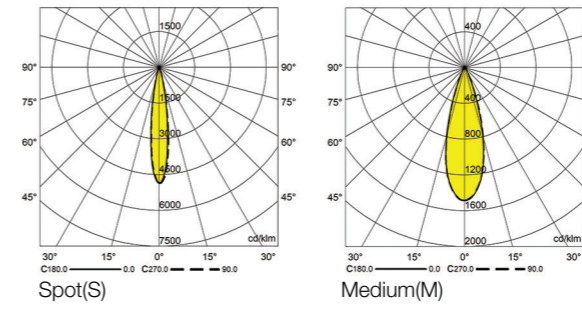
Recommended Applications:
Residential | Office | Shop



Dorin Ston Parsian / Architect: ZAV 2018

Sibron C Micro

Light distributions



Order code table

Body Color	3000K	Beam Angle	4000K	Body Color
White	F134W930S	Spot	F134W940S	White
	F134W930M	Medium	F134W940M	

Body Color	3000K	Beam Angle	4000K	Body Color
Black	F134B930S	Spot	F134B940S	Black
	F134B930M	Medium	F134B940M	