

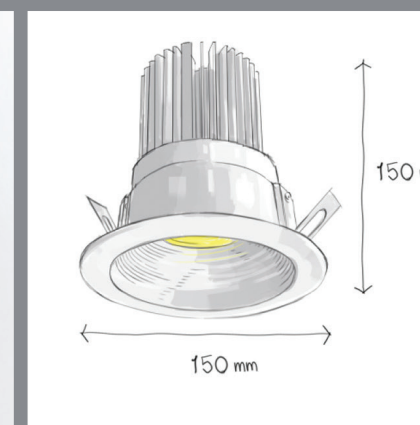
# Sibron C Maxi

Ceiling Recessed



## Sibron C Maxi

Ceiling Recessed



CODE	F138
Light source	LED
Power (W)	30
luminous flux (lm)	3300
Color Rendering (Ra)	>80
Color Temperature (K)	3000   4000*
Body Color	White   Black*

IP 20 130 mm CE

KG 0.95 kg

28 x 25 x 17 cm

**Supply Voltage:**  
220-240 Vac, 50Hz

**Driver:**  
DALI | Dimmable version available upon request

**Recommended Applications:**  
Office | Shop

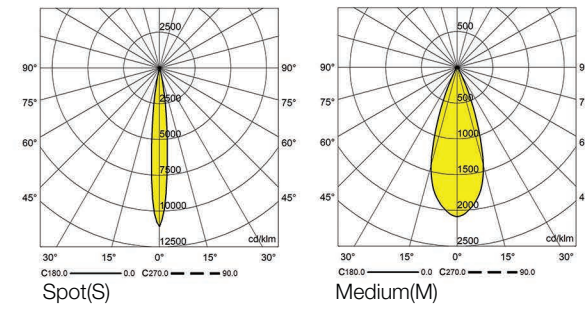
\*Customized body colors and other color temperatures (CCTs) are available upon request

Specific design of the bottom frame with its strips reduce the direct view to the light point and of course glare



## Sibron C Maxi

### Light distributions



Dorine Stone / Architect: ZAV 2018

### Order code table

Body Color	3000K	Beam Angle	4000K	Body Color
White	F138W3030S	Spot	F138W3040S	White
	F138W3030M	Medium	F138W3040M	

Body Color	3000K	Beam Angle	4000K	Body Color
Black	F138B3030S	Spot	F138B3040S	Black
	F138B3030M	Medium	F138B3040M	