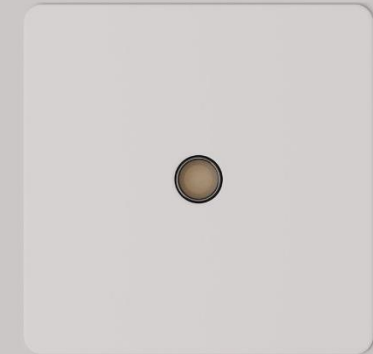


Oyan Q

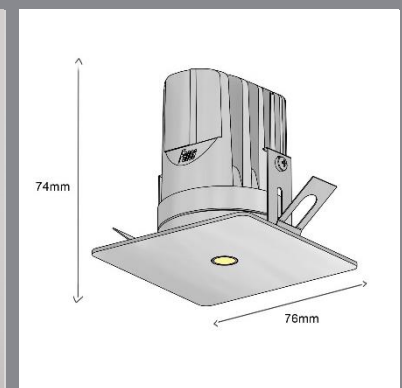
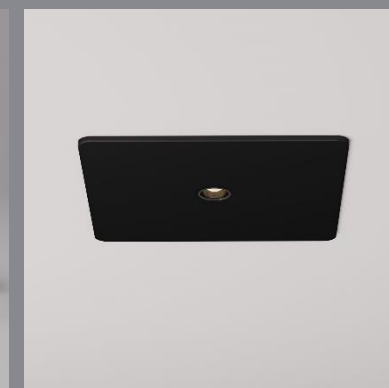
Ceiling Recessed



Oyan Q



Ceiling Recessed



CODE	F181
Light source	LED
Power (W)	9
luminous flux (lm)	800 850
Color Rendering (Ra)	>90
Color Temperature (K)	3000 4000*
Body Color	White Black Silver

IP 20 ⚡ 68 mm

Supply Voltage:
220-240 Vac, 50 Hz

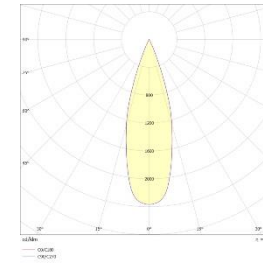
Driver:
DALI | Dimmable version available upon request

Recommended Applications:
Residential | Office | Shop

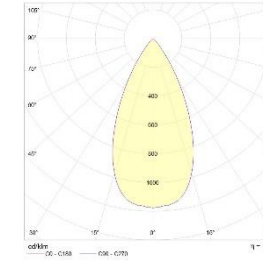
*Customized body colors and other color temperatures (CCTs) are available upon request

Oyan Q

Light distributions



Spot (S)



Medium (M)

Order code table

Body Color	3000K	Beam Angle	4000K	Body Color
White	F181W930S-Q	Spot	F181W940S-Q	White
	F181W930M-Q	Medium	F181W940M-Q	
Black	F181B930S-Q	Spot	F181B940S-Q	Black
	F181B930M-Q	Medium	F181B940M-Q	