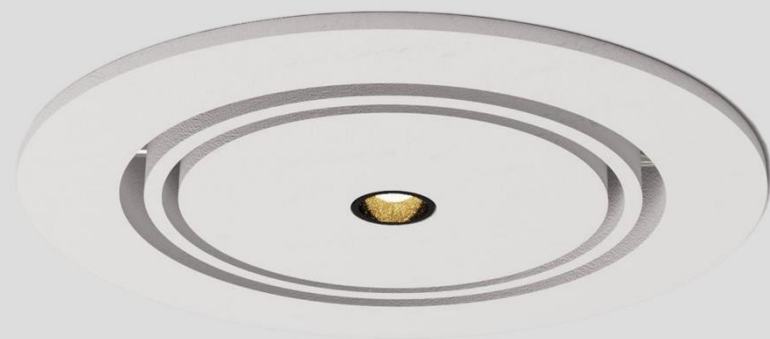


Oyan A

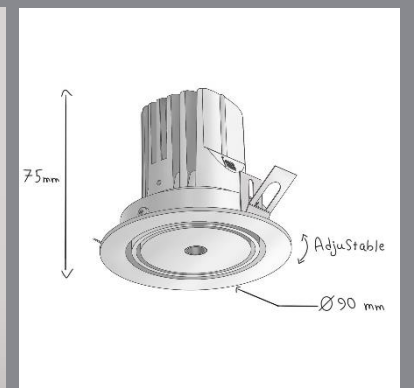
Ceiling Recessed



Oyan A



Ceiling Recessed



CODE	F189
Light source	LED
Power (W)	9
luminous flux (lm)	800 850
Color Rendering (Ra)	>90
Color Temperature (K)	3000 4000*
Body Color	White Black

IP 20 ⚡ 80 mm

Supply Voltage:
220-240 Vac, 50 Hz

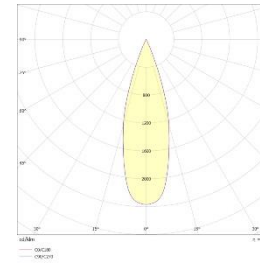
Driver:
DALI | Dimmable version available upon request

Recommended Applications:
Residential | Office | Shop

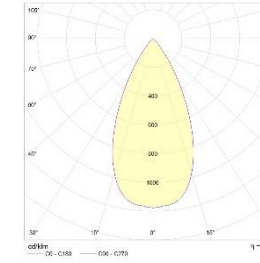
*Customized body colors and other color temperatures (CCTs) are available upon request

Oyan A

Light distributions





Spot (S)



Medium (M)



Order code table

Body Color	3000K 	Beam Angle	4000K 	Body Color
White	F189W930S	Spot	F189W940S	White
	F189W930M	Medium	F189W940M	
Black	F189B930S	Spot	F189B940S	Black
	F189B930M	Medium	F189B940M	