

Nian

Ceiling Recessed



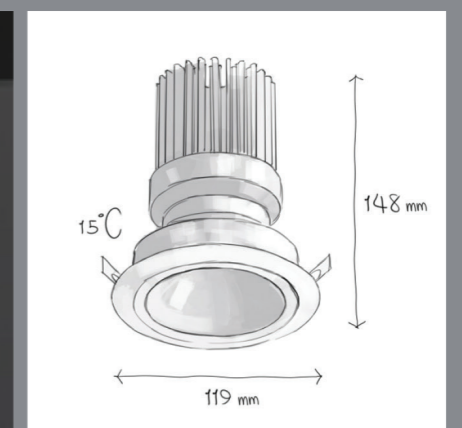
Accent lighting is one of the key elements in architectural lighting design. Spot lighting on objects, attracts people's attention to that object, and creates the feeling of drama in the space.

We as human being like shadows. A completely uniform lit environment resembles a cloudy day for us. The extreme narrow beam of Nian XS family, generated by a sophisticated high tech optic and a powerful compact light source is a good solution.

In retail environment, increase level of contrast between light and dark spaces, gives a feeling of more luxury and special feeling to the customer.

Nian

Ceiling Recessed



CODE	F130
Light source	LED
Power (W)	9* 12
luminous flux (lm)	600 1320
Color Rendering (Ra)	>80
Color Temperature (K)	3000 4000**
Body Color	White&Black**

*XS Version

**Customized body colors and other color temperatures (CCTs) are available upon request

IP 20 102 mm CE

KG 0.44 kg

20 x 16 x 12 cm

Supply Voltage:
220-240 Vac, 50Hz

Driver:
DALI | Dimmable version available upon request

Recommended Applications:
Residential | Office | Shop | Restaurant



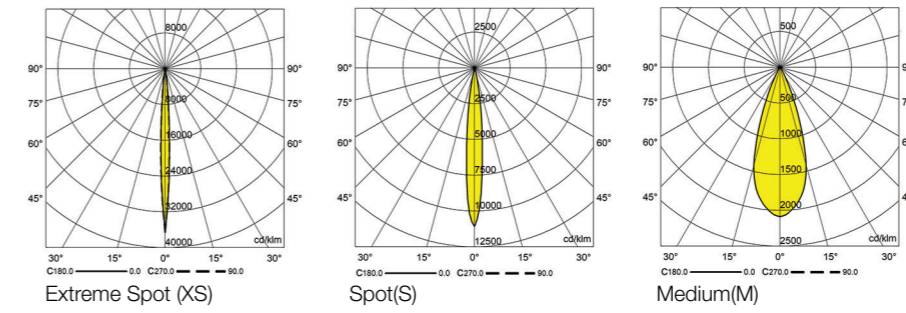
▼ Alborz Ceramic Showroom / Architect: Archiform 2018

Mozafarian Jewellery / Architect: Ehsan Mohajer 2017 ▲



Nian

Light distributions



Order code table

Body Color	3000K ●	Beam Angle	4000K ●	Body Color
White & Black	F130WB930XS	Extreme-Spot	F130WB940XS	White & Black
	F130WB930S	Spot	F130WB940S	
	F130WB1230M	Medium	F130WB1240M	