

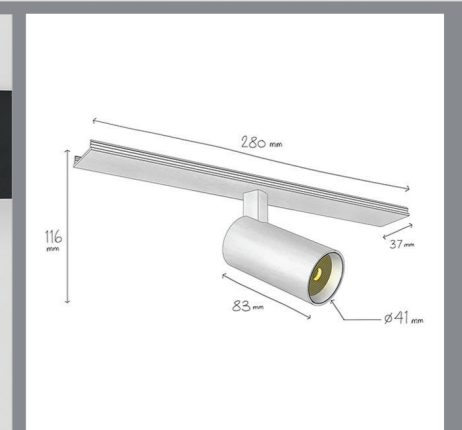
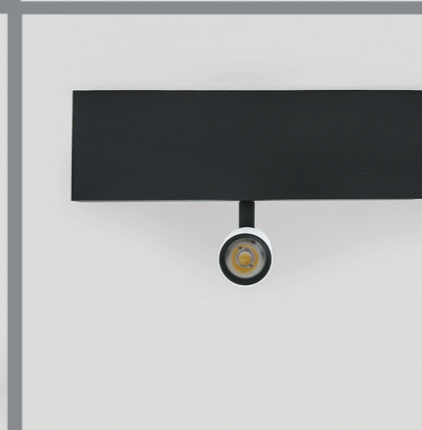
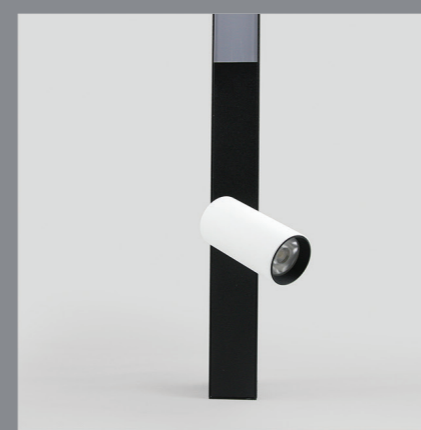
# Merbora Micro 40

Optical Module



## Merbora Micro 40

Optical Module



CODE	F430
Light source	LED
Power (W)	9
luminous flux (lm)	990
Color Rendering (Ra)	>80
Color Temperature (K)	3000   4000*
Body Color	White   Black



0.25 kg



28 x 25 x 17 cm



**Supply Voltage:**

220-240 Vac, 50Hz

**Driver:**

DALI | Dimmable version available upon request

**Recommended Applications:**

Residential | Office | Shop

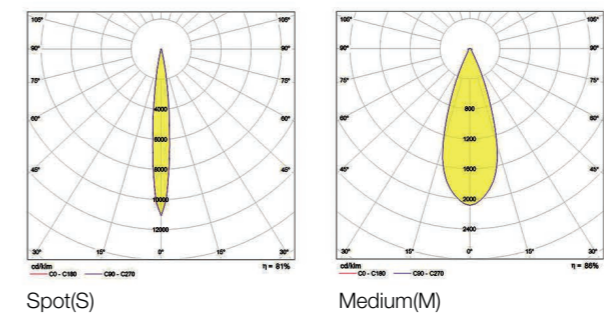
\*Customized body colors and other color temperatures (CCTs) are available upon request

The specific design of the lower frame with its strip reduces the direct view of the light spot and glare



# Merbora Micro 40

## Light distributions



## Order code table

Body Color	3000K	Beam Angle	4000K	Body Color
White	F430W930S	Spot	F430W940S	White
	F430W930M	Medium	F430W940M	

Body Color	3000K	Beam Angle	4000K	Body Color
Black	F430B930S	Spot	F430B940S	Black
	F430B930M	Medium	F430B940M	