

Merbo Micro RA Twin

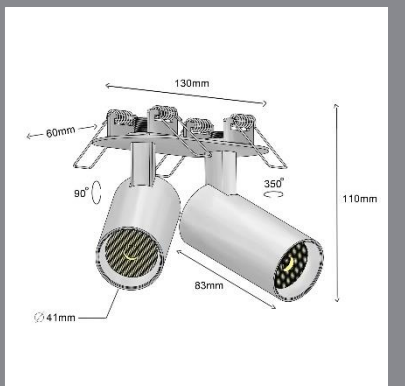
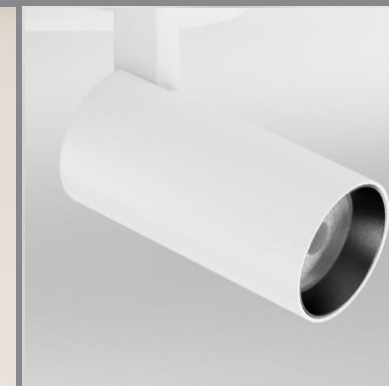
Ceiling Recessed



Merbo Micro RA Twin



Ceiling Recessed



CODE	F194
Light source	LED
Power (W)	9*2
luminous flux (lm)	990*2
Color Rendering (Ra)	>90
Color Temperature (K)	3000 4000*
Body Color	White Black Brushed Gold/Copper/Alu*

*Customized body colors and other color temperatures (CCTs) are available upon request

IP 20 110 * 45 mm

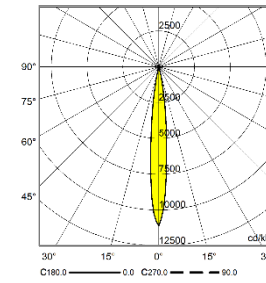
Supply Voltage:
220-240 Vac, 50 Hz

Driver:
DALI | Dimmable version available upon request

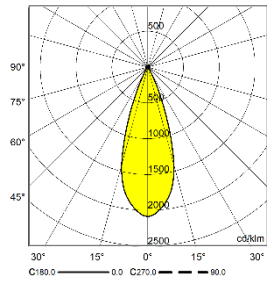
Recommended Applications:
Residential | Office | Shop
Museum | Gallery

Merbo Micro RA Twin

Light distributions



Spot (S)



Medium (M)



Order code table

Body Color	3000K	Beam Angle	4000K	Body Color
White	F194W1830S	Spot	F194W1840S	White
	F194W1830M	Medium	F194W1840M	
Black	F194B1830S	Spot	F194B1840S	Black
	F194B1830M	Medium	F194B1840M	
Brushed Copper	F194BC1830S	Spot	F194BC1840S	Brushed Copper
	F194BC1830M	Medium	F194BC1840M	
Brushed Gold	F194BJ1830S	Spot	F194BJ1840S	Brushed Gold
	F194BJ1830M	Medium	F194BJ1840M	
Brushed Alu	F194BA1830S	Spot	F194BA1840S	Brushed Alu
	F194BA1830M	Medium	F194BA1840M	