

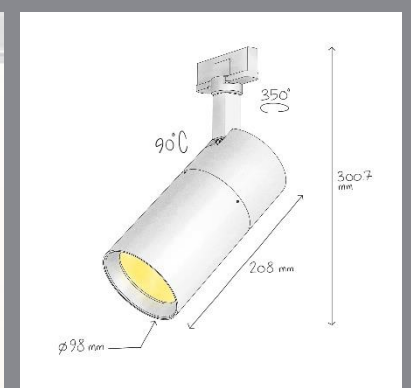
Kruza Maxi

Track Light



Kruza Maxi

Track Light



CODE	F384
Light source	LED
Power (W)	20
luminous flux (lm)	2200
Color Rendering (Ra)	>80
Color Temperature (K)	Ability to adjust the light
Body Color	White Black

IP
20

Supply Voltage:
220-240 Vac, 50 Hz

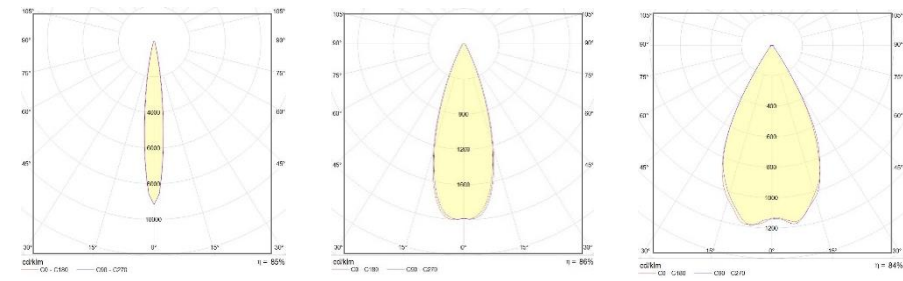
Driver:
DALI | Disable version available
upon request

Recommended Applications:
Residential | Office | Shop

*Customized body colors are available upon request

Kruza Maxi

Light distributions



Spot (S)

Medium (M)

Wide (W)

Accessories

Track



Refer to page 194

Order code table

Body Color	3000K	Beam Angle	4000K	Body Color
White	F384W20XXS	Spot	F384W20XXS	White
	F384W20XXM	Medium	F384W20XXM	
Black	F384B20XXS	Spot	F384B20XXS	Black
	F384B20XXM	Medium	F384B20XXM	



Different User Interfaces



Manual Control



Fenos App



Casambi



Based on CRI



Object Based

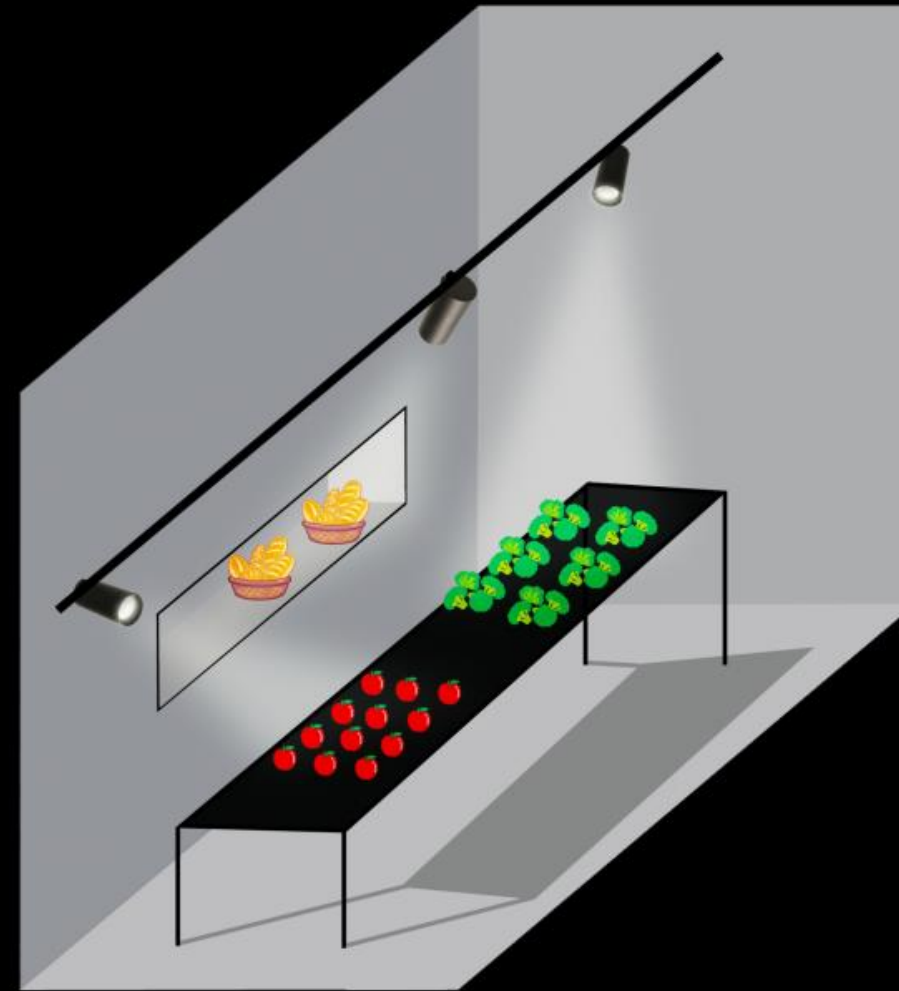


Free Mode



Object Hue Based

Object Oriented



Object-oriented lighting, where the light spectrum aligns with an object's visual characteristics, is highly valued in retail and cultural spaces. Lighting designers typically invest substantial time, cost, and effort in selecting the right fixtures for optimal visual impact.



Lower CRI, Higher Saturation



Higher CRI

Kruza Maxi simplifies this process, offering a versatile solution for all these applications. It boasts easy installation, a familiar form factor, and leverages the latest in LED and control technology, combined with modern optics. Our design idea is to streamline object-oriented lighting, making it accessible and efficient for professionals across diverse settings

ADDRESS: Fazantenstraat 46,
9940, Evergem, Belgium

PHONE: +32 (0) 9 335 81 49

EMAIL: info@fenos.be

