

Fitran Q

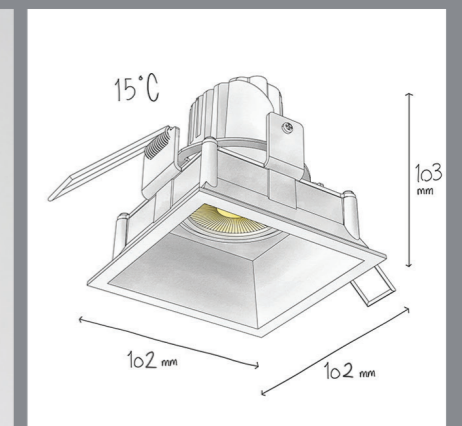
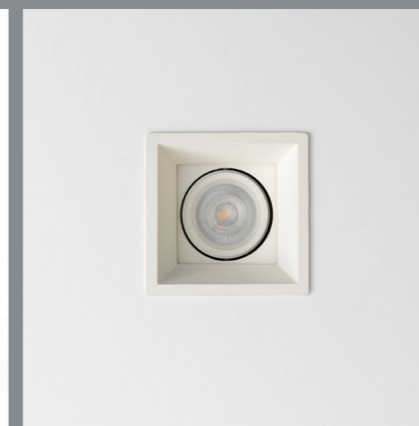
Ceiling Recessed



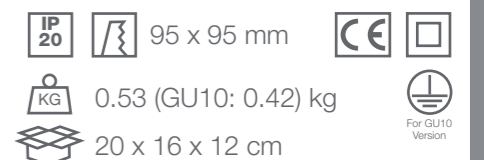
Fitran Q



Ceiling Recessed



CODE	F119
Light source	LED
Power (W)	12
luminous flux (lm)	1300
Color Rendering (Ra)	>80
Color Temperature (K)	3000 4000*
Body Color	White Black*

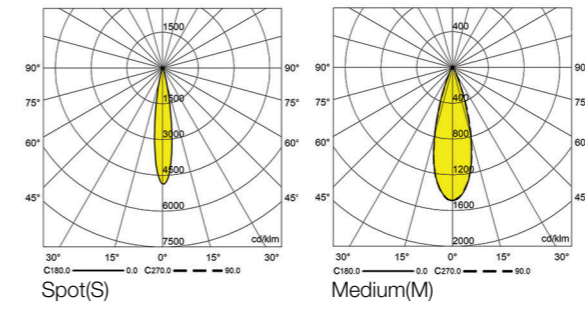


Supply Voltage:
220-240 Vac, 50Hz
Driver:
DALI | Dimmable version available upon request
Recommended Applications:
Residential | Office | Shop

*Customized body colors and other color temperatures (CCTs) are available upon request

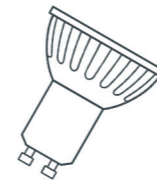
Fitran Q

Light distributions



Accessories

Optional



LED GU10 Lamp
Order code: 10020101

Order code table

Body Color	3000K	Beam Angle	4000K	Body Color
White	F119W1230S	Spot	F119W1240S	White
	F119W1230M	Medium	F119W1240M	
Body Color	3000K	Beam Angle	4000K	Body Color
Black	F119B1230S	Spot	F119B1240S	Black
	F119B1230M	Medium	F119B1240M	

Order code for GU10 Version**

Body Color	Body Code	Body Code	Body Color
White	F119WG	F119BG	Black

**Lamp is not Included



▲ JTI Office / Architect: Persian Garden 2019 ▼

