

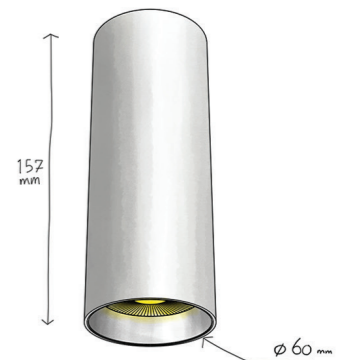
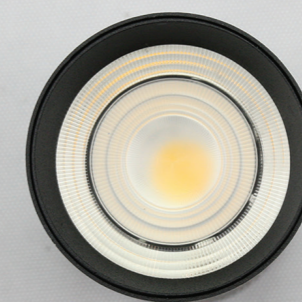
# Felka Mini S

Surface Mounted



## Felka Mini S

Surface Mounted



CODE	F317
Light source	LED
Power (W)	12
luminous flux (lm)	1300   1320
Color Rendering (Ra)	>80
Color Temperature (K)	3000   4000*
Body Color	White   Black

IP 20



0.52 kg

20 x 13 x 9 cm

**Supply Voltage:**

220-240 Vac, 50Hz

**Driver:**

DALI | Dimmable version available upon request

**Recommended Applications:**

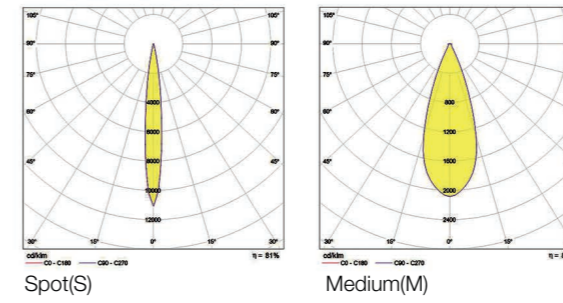
Residential | Office | Shop

\*Customized body colors and other color temperatures (CCTs) are available upon request

Specific design of the bottom frame with its strips reduce the direct view to the light point and of course glare

## Felka Mini S

### Light distributions



### Order code table

Body Color	3000K	Beam Angle	4000K	Body Color
White	F317W1230S	Spot	F317W1240S	White
	F317W1230M	Medium	F317W1240M	

Body Color	3000K	Beam Angle	4000K	Body Color
Black	F317B1230S	Spot	F317B1240S	Black
	F317B1230M	Medium	F317B1240M	



JTI office / Architect: Persian Garden 2019