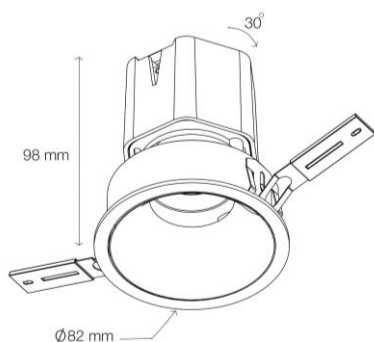


Dezli C Mini

Ceiling Recessed

F261



Key Features

- IP 65
- Adjustable
- Low Glare (UGR <10)

Technical Data

CODE	F261
Light source	LED
Power (W)	12W
luminous flux (lm)	950
Color Rendering (Ra)	>98
Color Temperature (K)	3000 4000*



Spot (S)



Medium (M)

*Customized body colors and other color temperatures (CCTs) are available upon request

Mechanical Data

Material	ADC12 Die-Casting
Body Color	Alu
Body Cover	White Black
Light Distribution	Electrostatic Paint Symmetrical



Electrical Data

Supply Voltage	220-240 Vac, 50Hz
Output Current	350mA
Input Current	0.03A
Input Power	13W
Output Power Range	2-36 W
PF	0.92
Efficiency	78%
Output Voltage	25-42V
No load Voltage	55V

