

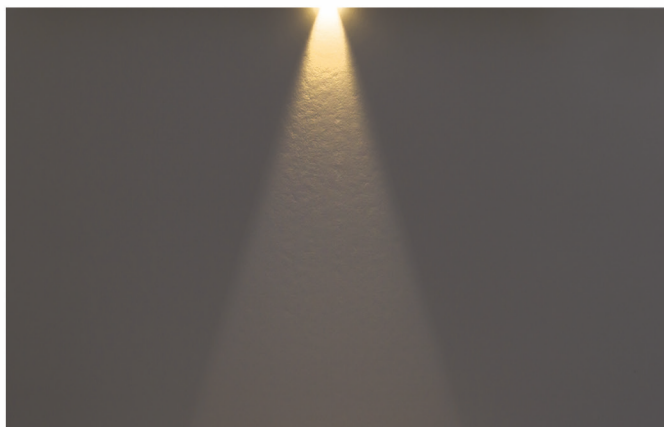
Fenos[®]

The Light Idea

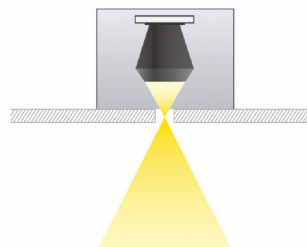


Darklans

Glare Free Downlight



Because of using special double focus optic, the light is coming out of a very small hole with just 8mm diameter. As a result, the glare of the light reduced to minimum, so it seems off when the light is on.



Specific double focus optic design



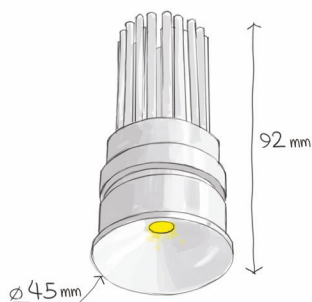
Small size, only 45 mm



Almost no visible light point on the ceiling



Trimless installation



ORDER CODE	POWER (W)	CCT (K)	CRI (Ra)	LUMEN OUTPUT	BEAM ANGLE	BODY COLOR *
F180W930MG3	9	3000	80	800	Medium	White
F180W940MG3	9	4000	80	850	Medium	White
F180S930MG3	9	3000	80	800	Medium	Silver
F180S940MG3	9	4000	80	850	Medium	Silver
F180B930MG3	9	3000	80	800	Medium	Black
F180B940MG3	9	4000	80	850	Medium	Black

* Customized body color and other color temperature are also available upon request