



[www.fenos.be](http://www.fenos.be)

All information in this catalogue is provided for information purposes only and Fenos makes no representations about the accuracy or completeness of the information in this catalogue. Fenos may revise the information and technical data contain herein at any time without notice.

Fazantenstraat 46, 9940, Evergem, Belgium

Tel: +32 (0) 9 335 81 49  
VAT: BE0671.501.997

[info@fenos.be](mailto:info@fenos.be)



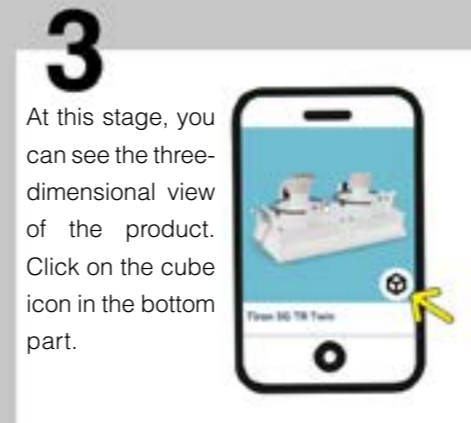
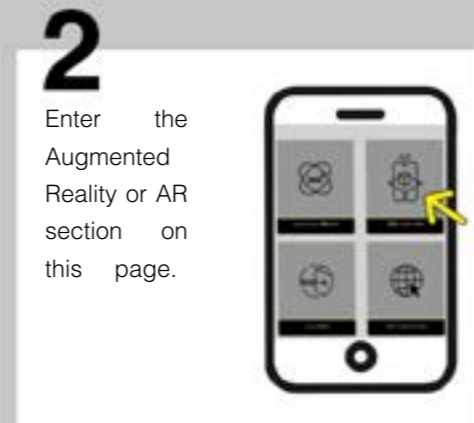
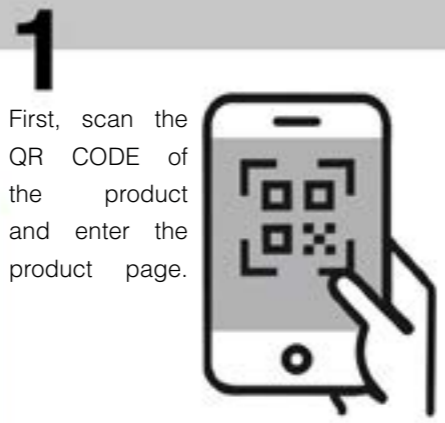
# 2024

— **Minilog** —

**Fenos**<sup>®</sup>  
Light to Delight

## Guide to using augmented reality:

Note: This function may not have accurate results on some devices, especially on phones with Android operating system.



To have a detailed experience and benefit from the website features, use a browser; **Google Chrome** is recommended.

### Mini log

This catalog is designed in line with the long-term goals of the company to develop environmentally friendly products. Therefore, brief information about each product is included in this catalog and additional information is presented digitally to the reader, which has reduced paper consumption. Also, the use of modern technologies is one of the main approaches of Fenos company.



### Augmented Reality

You can witness each of products in your environment before purchasing them. Using your smartphone and through the link provided next to the products, with augmented reality (AR), simulate the desired product in the space of your choice.



### 360 degree vision

If you need to check products from different angles, you can use the **360 degree** product link. This feature allows you to view all angles of the product.



### Product page on the website

Use the link next to each product to obtain additional information, including technical specifications, download brochures and required content. This link will lead you to the dedicated page of each product on Fenos website.



### Installation instruction

In order to provide additional data, installation instructions for each product are given on the corresponding page. To download the instructions, you can use the link inserted on the pages.



### Help description


Next to the specifications of each product, a «QR Code» has been inserted. By scanning the code with a smart mobile phone, you will be directed to a page where various links can be seen. If you select any of the links, you will have access to any of the desired information according to the mentioned descriptions. For example, if you select the Augmented Reality (AR) link, the desired product will be simulated on the smartphone screen, and by moving the camera angle, you can place the product in the desired space and predict the final result. The function of other links is also the same and you will be directed to the desired data according to your request.

# Guide:

**Code**      **Product Name**

**F180 Darklans**

**Product in installed mode**




**Description and main features**

Bartenbach optics technology / Reduce dazzling according to the designed form / Trimless installation / Extreme small size


**Suggested Retail Price (SRP) EXW Belgium**

114.9 €


**Product light distribution angle**




**Secondary image of the product**



**Ceiling Cut out**



**Dimensions**




**Technical information**

Power(W) 9  
lumious flux(lm) 800-850

70mm

**QR CODE for more information**



# INDEX Indoor

Category	Name	Page Number
Ceiling Recessed Light	Darklans Oyan Zhiwer Sibron CF-TR	06
	Eyren Micro Eyren Mini Eyren Midi Eyren Maxi	07
	Sibron C Micro Sibron C Mini Sibron C Midi Sibron C Maxi	08
	Fitran C Mini Tiran C Mini Nian	09
	Roni WW Valman	11
	Sibron Q Mini Sibron Q Midi Sibron Q Maxi	12
	Eyden Mini Eyden Mini TR Filde Micro Filde Mini	13
	Fitran Q Fitran Q TR Fitran Q TR Twin	14
	Tiran S Tiran S TR Tiran SG TR Twin	15
	Merbo Micro RA Merbo Mini RA Merbo Micro RA Twin Aro RA	16
	Felka Micro S Felka Mini S Felka Midi S Felka Maxi S	17
	Aro S Aro SA Merbo Micro CW-DR Merbo Micro CW-DS	18
	Aro CW Valman S	19
	Felka Micro P Felka Mini P Felka Midi P Felka Maxi P	20
	Aro P	21

# INDEX Indoor

Category	Name	Page Number
Track Light	Merbo Micro Merbo Mini Merbo Midi Merbo Maxi	22
	Armo Maxi Felka mini Belta Aro	23
	Valman T Risen	24
Linear Light	Sira S 1616 Sira R 1616 Sira V 1616 Sira TR 1616	25
	Sira OL Sira R 4040 Sira S 4090 Sira P 4090	26
	Sira R 6040 Sira R 6090 Sira S 6090 Sira P 6090	27
	Krab 36	28
	complementary Products for Linear Lights	Merbora Micro 40 Merbora Mini 60 Arora 60
Acoustic Lights	Sirana 625 Orma Felkana	30

# INDEX Outdoor

Category	Name	Page Number
Outdoor Light	Vaswa Micro Vaswa Midi Vaswa Maxi	31
	Silva Midi Silva Maxi	32

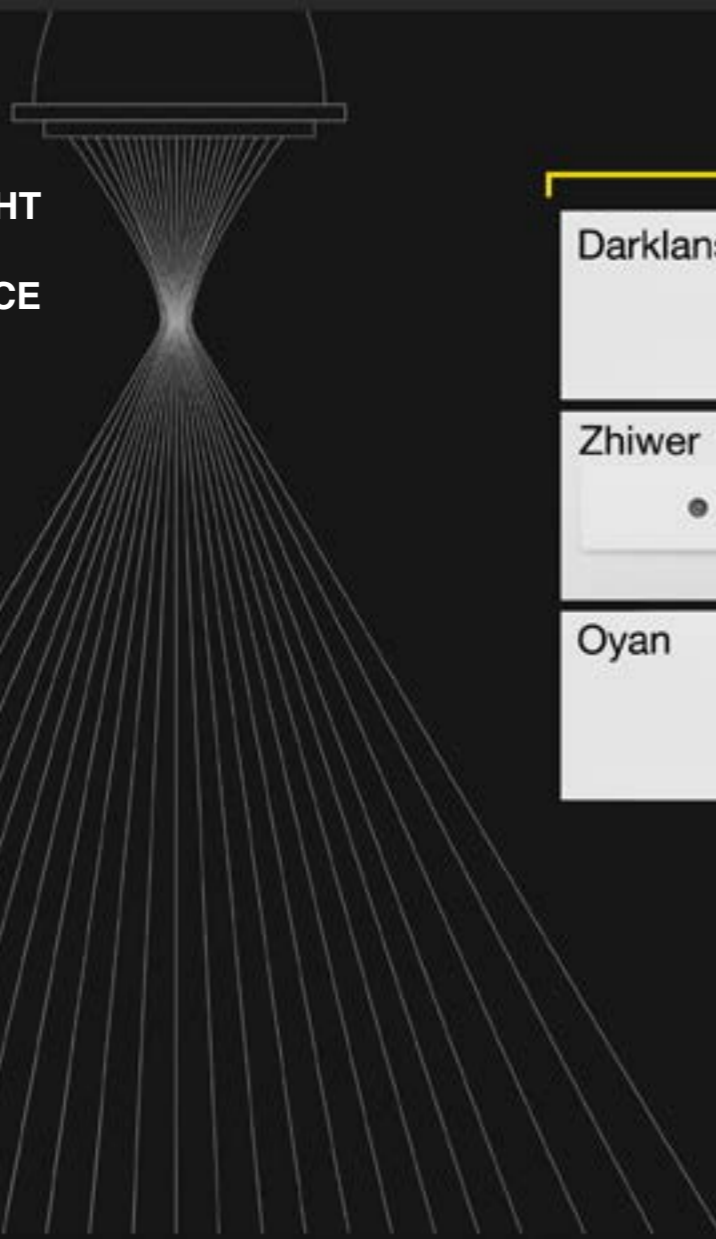
# Innovative products overview



**GLARE-FREE LIGHT FROM AN INVISIBLE SOURCE**



Engineering, designing and manufacturing of this lens was done by Bartenbach, a leading Austrian company in the world lighting industry. LFO lens technology is suchlike that the light is converged at a distance and then diverges at a certain angle; This results in the light passing through a small aperture and lighting up the environment. On the other hand, one of the important features of this lens is to prevent glare; In fact, hiding the light spot inside the lamp causes no glare for people in the environment.

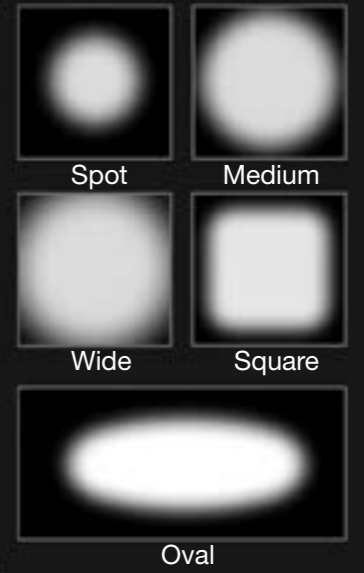


## LFO Family



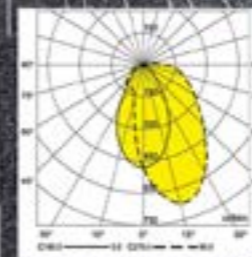
## Track light with variety in light distribution

Merbo BS is a lighting with a primary spot lens. By using its secondary lenses, the user takes advantage of different light distributions and shapes such as medium and wide angles or square and oval shapes. Honeycomb can also be used for this light, which significantly reduces glare. This product can also be ordered in different sizes and powers.



## Vertical Illumination

Wall washer lenes



**F181 Oyan**



Bartenbach optics technology / Reduces dazzling according to the designed form / Trimless installation / Customization of the outer surface material with the ceiling

	Power(W) lumious flux(lm)	9 800-850	<b>96.9 €</b>
	Ø	68mm	

**F180 Darklans**



Bartenbach optics technology / Reduces dazzling according to the designed form / Trimless installation / Extreme small size

	Power(W) lumious flux(lm)	9 800-850	<b>114.9 €</b>
	Ø	70mm	

**F191 Eyren Mini**



Reduces dazzling according to the designed form / Trimless installation / Extreme small size / With the ability to use a GU10 lamp for the economic version

	Power(W) lumious flux(lm)	12 1300	<b>55.9 €</b>
	Ø	90mm	

**F190 Eyren Micro**



Reduces dazzling according to the designed form / Trimless installation / Extreme small size

	Power(W) lumious flux(lm)	9 990	<b>65.2 €</b>
	Ø	75mm	

**F136 Sibron CF TR**



Trimless installation / Easy installation / With the ability to use a GU10 lamp for the economic version

	Power(W) lumious flux(lm)	12 1300	<b>49.3 €</b>
	Ø	84mm	

**F182 Zhiwer**



Bartenbach optics technology / Reduces dazzling according to the designed form / Trimless installation / The ability to match the material of the outer surface with the ceiling

	Power(W) lumious flux(lm)	27 1800	<b>274.4 €</b>
	Ø	185 X 35mm	

**F193 Eyran Maxi**



Reduces dazzling according to the designed form / Trimless installation / Variety of special colors / Higher power

	Power(W) lumious flux(lm)	30 3300	<b>166.5 €</b>
	Ø	145mm	

**F192 Eyran Midi**



Reduces dazzling according to the designed form / Trimless installation / Variety of special colors

	Power(W) lumious flux(lm)	20 2200	<b>102.8 €</b>
	Ø	112mm	

**F135 Sibron C mini**



Rhythmic form in the design / Ability to use GU10 lamp for the economic version

	Power(W) luminous flux(lm)	12 1300	<b>39.8 €</b>
	Ø	80mm	

**F134 Sibron C Micro**



Rhythmic form in the design / Extreme small size / Glare reduction due to the shape of the body

	Power(W) luminous flux(lm)	9 900	<b>53.3 €</b>
	Ø	58mm	

**F127 Tiran C mini**



15 degree adjustable light / With the ability to use GU10 lamps for the economic version

	Power(W) luminous flux(lm)	12 1300	<b>57.6 €</b>
	Ø	90mm	

**F128 Fitran C mini**



15 degree adjustable light / With the ability to use GU10 lamps for the economic version

	Power(W) luminous flux(lm)	12 1300	<b>44.2 €</b>
	Ø	90mm	

**F138 Sibron C Maxi**



Rhythmic form in the design / High efficiency / Suitable for high ceilings

	Power(W) luminous flux(lm)	30 3300	<b>182.7 €</b>
	Ø	130mm	

**F137 Sibron C midi**



Rhythmic form in the design / High efficiency / Suitable for high ceilings

	Power(W) luminous flux(lm)	20 2200	<b>96.5 €</b>
	Ø	102mm	

**F130 Nian**



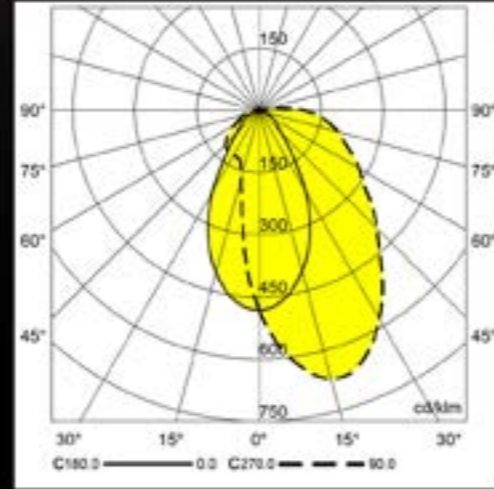
Dark light lamp/ 30 degree adjustable light for lighting the subject on the wall/ Super narrow and narrow light distribution angle

	Power(W) luminous flux(lm)	9-12 600-1320	<b>46.4 €</b>
	Ø	80mm	



## Vertical Illumination

Vertical illumination has become more and more important for architects and lighting designers. It is important for architects because it reveals the feel of the space, and helps the place to become even more inviting. This technique is used to add more depth to the space, to emphasis on the vertical surfaces and creating a clearer spatial perception for observers. Fenos offers a wide range of wall washers with an asymmetrical beam for a perfect uniform wall washing.



Tashrifat Clinic / Architect: Kianmanesh Architecture Studio

## F185 Roni



Uniform lighting on the wall/ Normal and trimless installation/ Special form design

	Power(W)	12	118.3 €
	lumious flux(lm)	1300	
	70-90(TR) mm		
	85mm		

## F160 Valman



Uniform lighting on the wall / Wall washer light distribution angle / Can be used for walls up to 8 meters high

	Power(W)	30	224.2 €
	lumious flux(lm)	3400	
	125mm		
	105mm		

**F141 Sibron Q Midi**



Combination of square and circular form / High efficiency / Suitable for high ceilings

	Power(W) lumious flux(lm)	20 2200	<b>65.6 €</b>
	Ø 90mm		

**F140 Sibron Q Mini**



Combination of square and circle form / High efficiency / Ability to use GU10 lamp for economic version

	Power(W) lumious flux(lm)	12 1300	<b>36.1 €</b>
	Ø 70mm		

**F153 Eyden Mini TR**



Trimless installation / Minimal and modern design / Square shaped / High quality diffuser for uniform light distribution

	Power(W) lumious flux(lm)	10 1100	<b>51.3 €</b>
	113 X 113mm		

**F150 Eyden Mini**



Minimal and modern design / Square shaped / High quality diffuser for uniform light distribution

	Power(W) lumious flux(lm)	10 1100	<b>36.7 €</b>
	95 X 95mm		



**F142 Sibron Q Maxi**



Combination of square and circular form / High efficiency / Suitable for high ceilings

	Power(W) lumious flux(lm)	30 3300	<b>162.4 €</b>
	Ø 115mm		

**F124 Filde Mini**



15 degree adjustable light / Ability to use GU10 lamp for economic version

	Power(W) lumious flux(lm)	12 1300	<b>56.6 €</b>
	Ø 84mm		

**F123 Filde Micro**



15 degree adjustable light / Extreme small size / Specialized lens for subject lighting

	Power(W) lumious flux(lm)	9 990	<b>56.3 €</b>
	Ø 75mm		



**F129** Fitran Q TR



Trimless installation / 15 degree adjustable light / Combination of square and circular frames / Ability to use GU10 lamp for economic version

	Power(W) lumious flux(lm)	12 2600	<b>46.0 €</b>
		Spot Medium	
		113 X 113mm	

**F119** Fitran Q



15 degree adjustable light / Combination of square and circular frames Ability to use GU10 lamp for economic version

	Power(W) lumious flux(lm)	12 1300	<b>43.9 €</b>
		Spot Medium	
		95 X 95mm	

**F121** Tiran S TR



15 degree adjustable light / Consolidated form in the design

	Power(W) lumious flux(lm)	9 990	<b>58.8 €</b>
		Spot Medium	
		113 X 113mm	

**F120** Tiran S



15 degree adjustable light / Consolidated form in the design

	Power(W) lumious flux(lm)	9 990	<b>52.7 €</b>
		Spot Medium	
		95 X 95mm	

**F117** Fitran Q TR Twin



Trimless installation / 15 degree adjustable light / Higher power / Ability to use GU10 lamp for economical version

	Power(W) lumious flux(lm)	2X12 2600	<b>97.4 €</b>
		Spot Medium	
		115 X 205mm	

**F116** Tiran SG TR Twin



Trimless installation / 15 degree adjustable light / Higher power / Ability to use GU10 lamp for economical version

	Power(W) lumious flux(lm)	2X6 990	<b>38.8 €</b>
		GU10 LED Lamp	
		115 X 205 mm	

**F345 Merbo Mini RA**



Specialized lens for subject lighting/ 355 degree horizontal rotation and 90 degree angle adjustment / Minimal design with small size

	Power(W) luminous flux(lm)	12 1320/1300	<b>70.3 €</b>
	Ø	60mm	

**F342 Merbo Micro RA**



Specialized lens for subject lighting / 355 degree horizontal rotation and 90 degree angle adjustment / Minimal design with small size

	Power(W) luminous flux(lm)	9 990	<b>62.8 €</b>
	Ø	50mm	

**F317 Felka Mini S**



Surface mounted / High efficiency

	Power(W) luminous flux(lm)	12 1320/1300	<b>74.2 €</b>
	Surface Mounted		

**F313 Felka Micro S**



Surface mounted / Minimal design / Extreme small size

	Power(W) luminous flux(lm)	9 990	<b>63.3 €</b>
	Surface Mounted		

**F194 Merbo Micro RA Twin**



Specialized lens for subject lighting/ 355 degree rotation and 90 degree adjustable light / Minimal design with small size

	Power(W) luminous flux(lm)	29 2 X 990	<b>106.8 €</b>
	Ø	32 X 112 mm	

**F334 Aro RA** by ReNaDesign



355 degree horizontal rotation and 90 degree angle adjustment / Use GU10 lamp / Decorative ring to coordinate with interior design

	Power(W) luminous flux(lm)	6 550	<b>32.4 €</b>
	Ø	54mm	

**F321 Felka Maxi S**



Surface mounted / High efficiency / Suitable for high ceilings

	Power(W) luminous flux(lm)	30 3300	<b>147.3 €</b>
	Surface Mounted		

**F327 Felka Midi S**



Surface mounted / High efficiency / Suitable for high ceilings

	Power(W) luminous flux(lm)	20 2200	<b>121.7 €</b>
	Surface Mounted		

**F331 Aro S** by ReNaDesign



Surface mounted installation / Use GU10 lamp / Decorative ring to coordinate with interior design

Power(W) lumious flux(lm)	6 550	<b>28.6 €</b>
Surface Mounted	GU10 LED Lamp	
		

**F333 Aro SA** by ReNaDesign




Surface mounted installation / 355 degree horizontal rotation and 90 degree angle adjustment / Use GU10 lamp / Decorative ring to coordinate with interior design

Power(W) lumious flux(lm)	6 550	<b>35.7 €</b>
Surface Mounted	GU10 LED Lamp	
		

**F161 Valman S**



Uniform lighting on the wall / Wall washer light distribution angle / Can be used for walls up to 8 meters high

Power(W) lumious flux(lm)	20 2200	<b>223.0 €</b>
Surface Mounted	WallWasher	
		

**F337 Aro CW** by ReNaDesign



Surface mounted installation / Two light sources / Use GU10 lamp / Decorative ring to coordinate with interior design

Power(W) lumious flux(lm)	2X6 2X550	<b>64.9 €</b>
Surface Mounted	GU10 LED Lamp	
		

**F352 Merbo Micro CW-DS**



Surface mounted installation / Two light sources / 355 degree horizontal rotation and 90 degree angle adjustment

Power(W) lumious flux(lm)	2X9 2X990	<b>125.5 €</b>
Surface Mounted	Spot Medium	
		

**F352 Merbo Micro CW-DR**



Surface mounted installation / Two light sources / 355 degree horizontal rotation and 90 degree angle adjustment

Power(W) lumious flux(lm)	2X9 2X990	<b>125.5 €</b>
Surface Mounted	Spot Medium	
		



Ozgol Residential / Architect:Harirchi Architect



Hana Bouitque Hotel / Architect: Persian Garden Studio

**F319 Felka Mini P**



Pendant with adjustable connecting wire / Minimal Design / Suitable for ceilings up to 3 meters high



Power(W) 12  
luminous flux(lm) 1300/1320

**78.0 €**

Pendant Mounted



**F314 Felka Micro P**



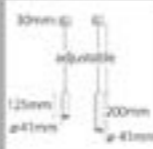
Pendant with adjustable connecting wire / Two body length sizes / Special lens without glare / Suitable for elegant and modern spaces



Power(W) 9  
luminous flux(lm) 990

**76.2 €**

Pendant Mounted



**F332 Aro P** Designed by ReNa Design



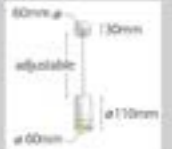
Pendant with adjustable connecting wire / Use GU10 lamp / Decorative ring to coordinate with interior design



Power(W) 6  
luminous flux(lm) 550

**45.9 €**

Pendant Mounted



Datis Office

**F320 Felka Maxi P**



Pendant with adjustable connecting wire / Suitable for high ceiling height



Power(W) 30  
luminous flux(lm) 3300

**166.9 €**

Pendant Mounted



**F326 Felka Midi P**



Pendant with adjustable connecting wire / Connecting wire with customizable length / Suitable for high ceiling height



Power(W) 20  
luminous flux(lm) 2200

**130.8 €**

Pendant Mounted



Ali Baba Office / Architect: Shift

**F343 Merbo mini**



Track light / 355 degree horizontal rotation and 90 degree angle adjustment / Minimal design

	Power(W) lumious flux(lm)	12 1320/1300	<b>87.8 €</b>
	Track Light		

**F340 Merbo Micro**



Track light / 355 degree horizontal rotation and 90 degree angle adjustment / Minimal design / Extreme small size

	Power(W) lumious flux(lm)	9 990	<b>59.2 €</b>
	Track Light		

**F315 Felka Mini**



Track light / 355 degree horizontal rotation and 90 degree angle adjustment / Minimal design

	Power(W) lumious flux(lm)	12 1320/1300	<b>118.4 €</b>
	Track Light		

**F360 Armo Maxi**



Track light / 355 degree horizontal rotation and 90 degree angle adjustment / Minimal design / High power/ Includes BS version

	Power(W) lumious flux(lm)	30 3300	<b>80.5 €</b>
	Track Light		

**F349 Merbo Maxi**



Track light / 355 degree horizontal rotation / Minimal design / High power / Includes BS version

	Power(W) lumious flux(lm)	30 3300	<b>257.8 €</b>
	Track Light		

**F346 Merbo Midi**



Track light / 355 degree horizontal rotation/ Minimal design

	Power(W) lumious flux(lm)	20 2200	<b>119.3 €</b>
	Track Light		

**F330 Aro**



Track light / 355 degree horizontal rotation and 90 degree angle adjustment / Decorative ring to coordinate with interior design

	Power(W) lumious flux(lm)	6 550	<b>43.9 €</b>
	Track Light		

**F390 Belta** Designed by ReHoDesign



Track light / 355 degree horizontal rotation and 90 degree angle adjustment / Special design of the body to achieve the desired texture / International award winner

	Power(W) lumious flux(lm)	12 1320/1300	<b>176.9 €</b>
	Track Light		

**F362 Risen**

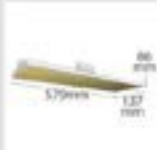
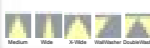


Very high efficiency / Various angles of light distribution / Specialized for stores, large spaces and warehouses

Power(W) 54  
lumious flux(lm) 10100/9600

304.4 €

Track Light



**F361 Valman T**

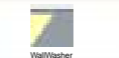


Uniform lighting on the wall / Wall washer light distribution angle / Can be used for walls up to 8 meters high

Power(W) 30  
lumious flux(lm) 3300

231.4 €

Track Light



**F467 Sira R 1616**



Recessed installation / Extreme narrow light line / Available in various lengths

Power(W) 10  
lumious flux(lm)

16.2 €

17mm



**F466 Sira S 1616**

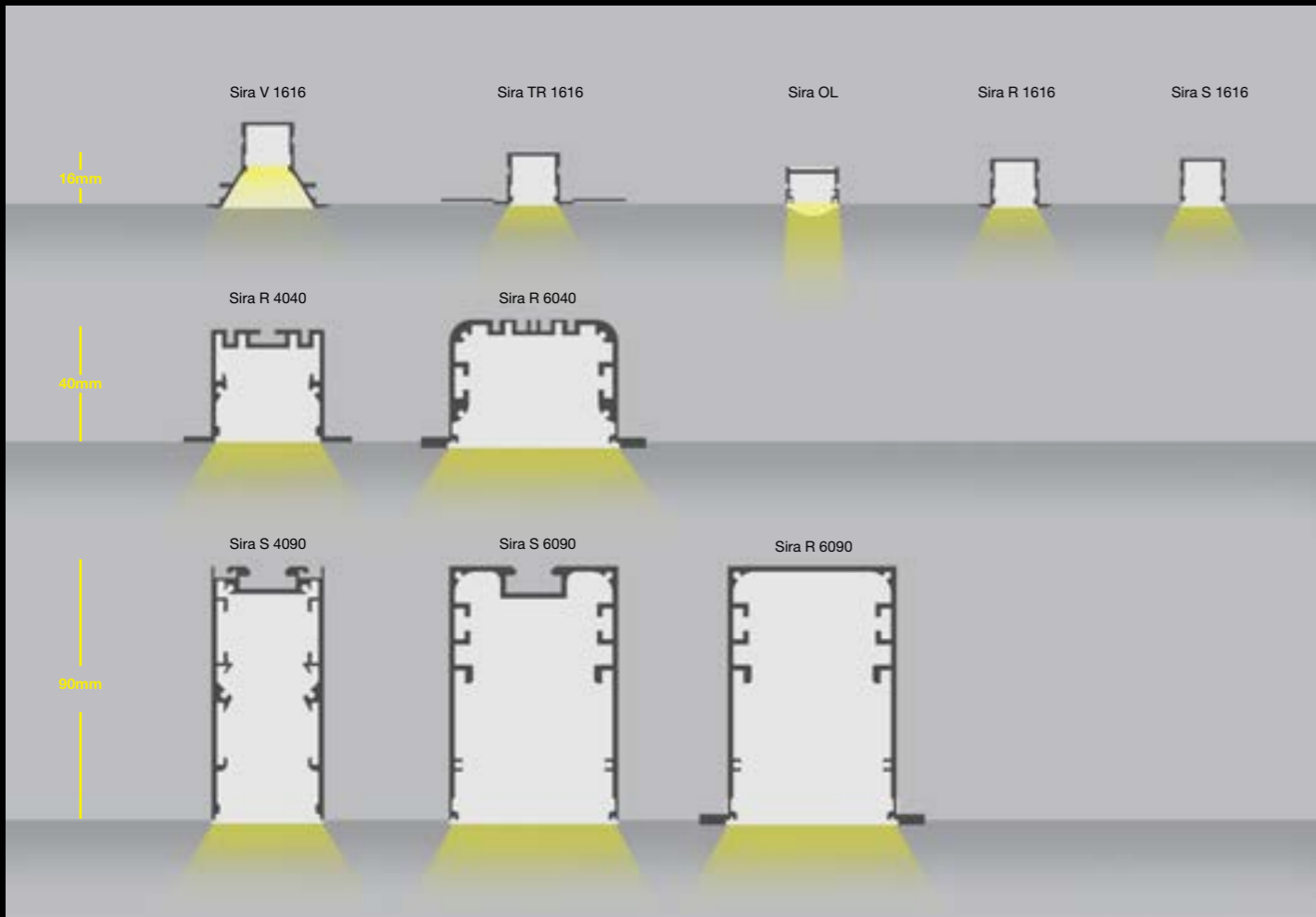
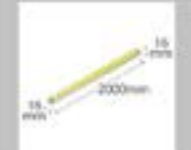
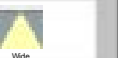


Extreme narrow light line / Available in various lengths

Power(W) 10  
lumious flux(lm) 1100

13.0 €

Surface mounted



**F468 Sira TR 1616**



Easy trimless installation / Extreme narrow light line / Available in various lengths / Economical price

Power(W) 10  
lumious flux(lm) 1100

19.0 €

17mm



**F463 Sira V 1616**

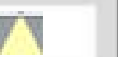


No glare due to the depth of the light / Extreme narrow light line / Available in various lengths

Power(W) 10  
lumious flux(lm) 1100


17.3 €

30mm



**F449 Sira R 4040**

Visiblerim / Available in various lengths / Low height for ceilings that do not have enough space / High quality diffuser




Power(W)	30	114 cm	53.0 €
lumious flux(lm)	40000	168 cm	69.5 €
		228 cm	76.9 €

42mm

Wide





**F470 Sira OL**

Special lens for more light projection from the LED strip / Economical and cost-effective to light up walls and curtains



Power(W)	30	29.8 €
lumious flux(lm)	3300	

Surface mounted

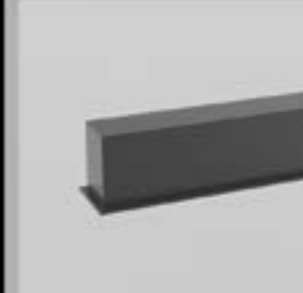
Spot





**F452 Sira R 6090**




Recessed installation / Available in various lengths / Width 6 cm / high quality diffuser / detachable light source



Power(W)	30/50	114 cm	72.7 €
lumious flux(lm)	4000	168 cm	100.2 €
		228 cm	179.9 €


70mm

Wide

**F403 Sira R 6040**




Recessed installation / Available in various lengths / Low height for ceilings that do not have enough space / High quality diffuser



Power(W)	30	114 cm	64.6 €
lumious flux(lm)	4000	168 cm	85.2 €
		228 cm	128.7 €

70mm

Wide

**F422 Sira P 4090**

Surface installation / Available in various lengths / Width 4 cm / High quality diffuser / Adjustable cable for height / Detachable light source



Power(W)	30/50	114 cm	67.4 €
lumious flux(lm)	4000	168 cm	88.6 €
		228 cm	131.0 €

Pendant Mounted

Wide





**F420 Sira S 4090**

Surface installation / Available in various lengths / Width 4 cm / High quality diffuser / Detachable light source



Power(W)	30/50	114 cm	62.3 €
lumious flux(lm)	4000	168 cm	82.8 €
		228 cm	124.8 €

Surface mounted


Wide





**F453 Sira P 6090**


Surface installation / Can be ordered in various lengths / Width 6 cm / High quality diffuser / Adjustable cable for height / Detachable light source



Power(W)	30/50	114 cm	78.3 €
lumious flux(lm)	4000	168 cm	107.1 €
		228 cm	187.4 €

Pendant Mounted

Wide


**F451 Sira S 6090**

Surface installation / Can be ordered in various lengths / Width 6 cm / High quality diffuser / Adjustable cable for height / Detachable light source



Power(W)	30/50	114 cm	71.4 €
lumious flux(lm)	4000	168 cm	95.9 €
		228 cm	121.4 €

Surface mounted

Wide







**FE10 Krab 36**

Trimless installation / Ability to connect the rail to the Krab / Creating a uniform groove in the environment to place the lights

Supply Voltage(W) 230	15.3 €
60mm x X	Merbo Micro
60mm adjustable	QR Code

**F432 Merbora Mini 60**

Optical module for linear lights/ Minimal design / Creating point light in space /Creating a spot light in space / Usable in 6 cm wide linear lights / 355 degree horizontal rotation and 90 degree angle adjustment

Power(W) 12 luminous flux(lm) 1300	38.8 €
Installation on profile	Spot Medium
280mm	QR Code

**F430 Merbora Micro 40**

Optical module for linear lights/ Minimal design / Creating a spot light in space / Usable in 4cm wide linear lights / 355 degree horizontal rotation and 90 degree angle adjustment

Power(W) 9 luminous flux(lm) 990	34.7 €
Installation on profile	Spot Medium
280mm	QR Code



**F436 Arora 60** by ReNaDesign

Optical module for linear lights/ Decorative ring to fit with the interior design / Creating a spot light in space / Usable in 6 cm wide linear lights / 355 degree horizontal rotation and 90 degree angle adjustment

Power(W) 60 luminous flux(lm) 550	32.4 €
Installation on profile	GU10 LED Lamp
60mm 280mm	QR Code



**F830 Orma**



Pendant with adjustable cable / With acoustic material / Variety of colors / With GU10 lamp

	Power(W) lumious flux(lm)	6 550	<b>87.7 €</b>
	Pendant Mounted		GU10 LED Lamp

**F840 Sirana 625**



Pendant with adjustable cable / With acoustic material / Variety of colors

	Power(W) lumious flux(lm)	30/50 4000	<b>157.1 €</b>
	Pendant Mounted		Wide

**F900 Vaswa Midi**



Waterproof and dustproof light / Suitable for lighting facades and green areas

	Power(W) lumious flux(lm)	8 800	<b>102.5 €</b>
	Suitable for Outdoor		Spot Medium

**F902 Vaswa micro**



24V power supply / Delicate and small size / Suitable for lighting facades and green areas

	Power(W) lumious flux(lm)	5 800	<b>56.8 €</b>
	Suitable for Outdoor		Spot Medium

**F856 Felkana**



Pendant, with adjustable cable / With acoustic material / Variety of colors / Suitable for high ceilings

	Power(W) lumious flux(lm)	30 3300	<b>210.0 €</b>
	Pendant Mounted		Spot Wide Medium

**F905 Vaswa Maxi**



Extreme spot light distribution / High light projection / Low power / Suitable for lighting vertical elements up to 20 meters

	Power(W) lumious flux(lm)	12 1320	<b>215.6 €</b>
	Suitable for Outdoor		X-Spot



House of Innovaation and Technology, Kenya, in collaboration with Namad Studio



Bank Melll Ferdowsi / Architect: Padiav Parth Architects 2017

**F925 Silva Maxi**



Waterproof and dustproof light / Suitable for outdoor environments / High light power

Power(W)	40	<b>251.6 €</b>
lumious flux(lm)	3240	
Suitable for Outdoor		

**F920 Silva Midi**



Waterproof and dustproof light / Suitable for outdoor environments / Appropriate light power

Power(W)	13	<b>126.7 €</b>
lumious flux(lm)	1400	
Suitable for Outdoor		



**Product classification list based on light class**

**1 Innovative products**

Darklans	06
Oyan	06
Zhiwer	06
Roni	11
Valman	11
Valman T	24
Sirana	30
Orma	30
Felkana	30
Belta	23
Sira OL	26
Vaswa Maxi	31

**2 Standard products**

Eyren Micro	07	Merbo Micro	22
Eyren Midi	07	Merbo Mini	22
Eyren Maxi	07	Merbo Midi	22
Sibron C Micro	08	Merbo Maxi	22
Sibron C Midi	08	Armo Maxi	23
Sibron C Maxi	08	Felka Mini	23
Nian	09	Risen	24
Sibron Q Midi	12	Sira TR 1616	25
Sibron Q Maxi	12	Sira R 1616	25
Eyden Mini	13	Sira V 1616	25
Eyden Mini TR	13	Sira S 1616	25
Filde Micro	13	Sira S 4090	26
Fitran Q TR	14	Sira P 4090	26
Fitran Q TR Twin	14	Sira R 6090	27
Tiran S	15	Sira S 6090	27
Tiran S TR	15	Sira P 6090	27
Tiran SG TR Twin	15	Merbora Micro 40	29
Merbo Micro RA	16	Merbora Mini 60	29
Merbo Mini RA	16	Krab 36	28
Merbo Micro RA Twin	16	Vaswa Micro	31
Felka Micro S	17	Vaswa Midi	31
Felka Mini S	17	Silva Midi	32
Felka Midi S	17	Silva Maxi	32
Felka Maxi S	17		
Merbo Micro CW-DR	18		
Merbo Micro CW-DS	18		
Felka Micro P	20		
Felka Mini P	20		
Felka Midi P	20		
Felka Maxi P	20		

**3 Economic products**

Eyren Mini (GU10)	07
Sibron C Mini (GU10)	08
Sibron CFTR (GU10)	06
Tiran C Mini (GU10)	09
Sibon Q Mini (GU10)	12
Filde Mini (GU10)	13
Fitran Q (GU10)	14
Aro RA	16
Aro S	18
Aro SA	18
Aro CW	19
Aro P	21
Aro	23
Arora 60	29
Sira R 4040	26
Sira R 6040	27

**4 Customized products**

Custom lights can be ordered based on customer needs.