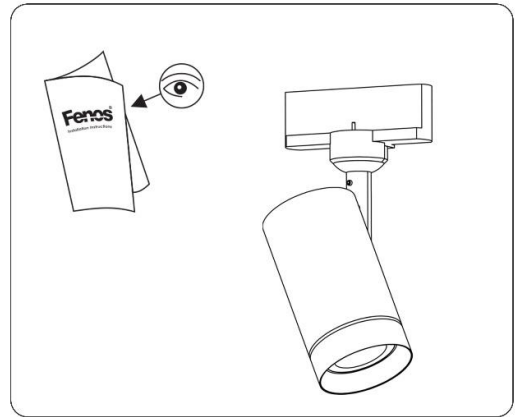
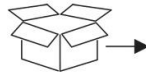
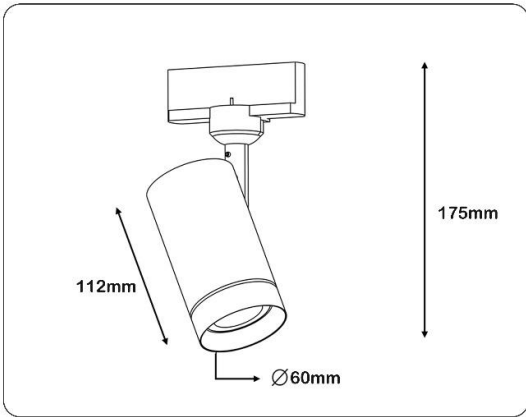
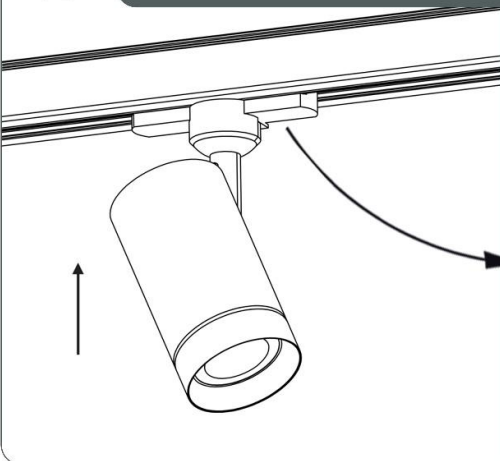


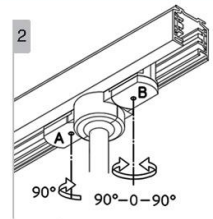
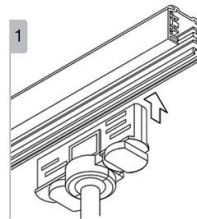
### A



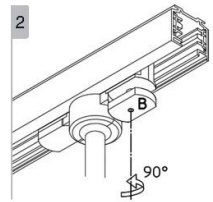
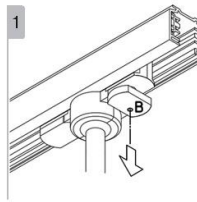
### B



To Connect:



To Disconnect:



### C

