

Armo Maxi

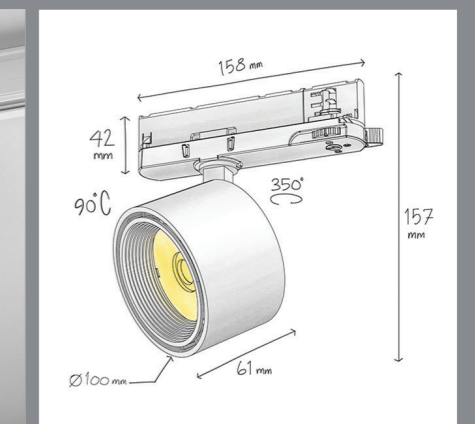
Track Light



Armo Maxi



Track Light



| | |
|-----------------------|---------------|
| CODE | F360 |
| Light source | LED |
| Power (W) | 30 |
| luminous flux (lm) | 3300 |
| Color Rendering (Ra) | >80 |
| Color Temperature (K) | 3000 4000* |
| Body Color | White Black |

IP 20



KG 0.76 kg

20 x 16 x 12 cm

Supply Voltage:

220-240 Vac, 50Hz

Driver:

DALI | Dimmable version available upon request

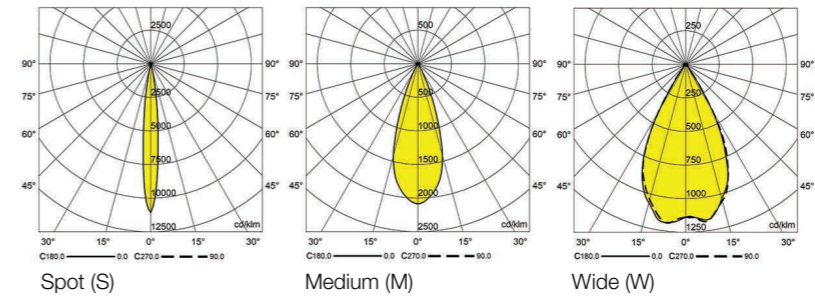
Recommended Applications:

Residential | Office | Shop

*Customized body colors and other color temperatures (CCTs) are available upon request

Armo Maxi

Light distributions



Accessories

Track



Refer to page 416

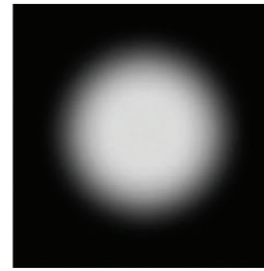
Order code table

| Body Color | 3000K | Beam Angle | 4000K | Body Color |
|------------|------------|------------|------------|------------|
| White | F360W3030S | Spot | F360W3040S | White |
| | F360W3030M | Medium | F360W3040M | |
| | F360W3030W | Wide | F360W3040W | |

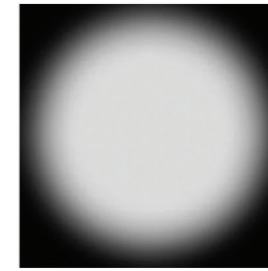
| Body Color | 3000K | Beam Angle | 4000K | Body Color |
|------------|------------|------------|------------|------------|
| Black | F360B3030S | Spot | F360B3040S | Black |
| | F360B3030M | Medium | F360B3040M | |
| | F360B3030W | Wide | F360B3040W | |

Armo Maxi BS

Light distributions



Spot(S)



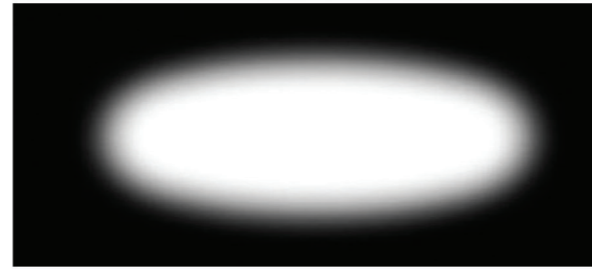
Medium(M)



Wide(W)



Squar(SQ)

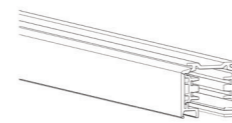


Oval(O)



Accessories

Track



Refer to page 416

Order code table

| | | | | |
|------------|-------------|--------------|-------------|------------|
| Body Color | 3000K ● | Beam Angle | 4000K ● | Body Color |
| White | F360W3030BS | Beam Shaping | F360W3040BS | White |
| Body Color | 3000K ● | Beam Angle | 4000K ● | Body Color |
| Black | F360B3030BS | Beam Shaping | F360B3040BS | Black |