

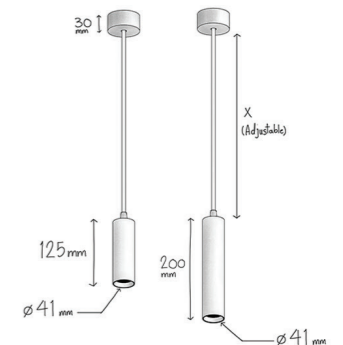
# Felka Micro P

Pendant Mounted



## Felka Micro P

Pendant Mounted



|                       |   |
|-----------------------|---|
| CODE                  | F314                                      |
| Light source          | LED                                       |
| Power (W)             | 9   |
| luminous flux (lm)    | 990                                       |
| Color Rendering (Ra)  | >80                                       |
| Color Temperature (K) | 3000   4000*                              |
| Body Color            | White   Black<br>Brushed Gold/Copper/Alu* |

\*Customized body colors and other color temperatures (CCTs) are available upon request



0.30 kg

17\*13\*9 (cm) 12.5 cm Version  
20\*16\*12 (cm) 2.0 cm Version

**Supply Voltage:**

220-240 Vac,50Hz

**Driver:**

DALI | Dimmable version available upon request

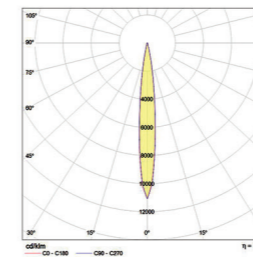
**Recommended Applications:**

Residential | Office | Shop | Museum | Gallery

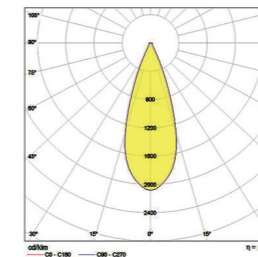


## Felka Micro P

### Light distributions



Spot(S)



Medium(M)



### Order code table

| Body Color     | 3000K      | Beam Angle | 4000K      | Body Color     |
|----------------|------------|------------|------------|----------------|
| White          | F314W930S  | Spot       | F314W940S  | White          |
|                | F314W930M  | Medium     | F314W940M  |                |
| Black          | F314B930S  | Spot       | F314B940S  | Black          |
|                | F314B930M  | Medium     | F314B940M  |                |
| Brushed Copper | F314BC930S | Spot       | F314BC940S | Brushed Copper |
|                | F314BC930M | Medium     | F314BC940M |                |
| Brushed Gold   | F314BJ930S | Spot       | F314BJ940S | Brushed Gold   |
|                | F314BJ930M | Medium     | F314BJ940M |                |
| Brushed Alu    | F314BA930S | Spot       | F314BA940S | Brushed Alu    |
|                | F314BA930M | Medium     | F314BA940M |                |