

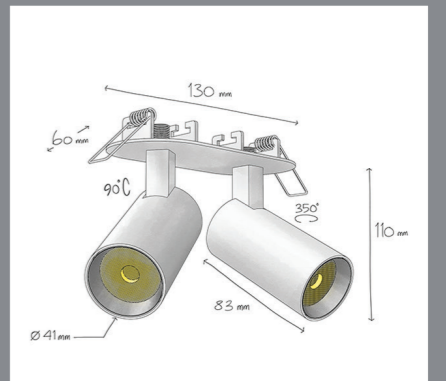
Merbo Micro RA Twin

Ceiling Recessed



Merbo Micro RA Twin

Ceiling Recessed



CODE	F194
Light source	LED
Power (W)	2*9
luminous flux (lm)	2*990
Color Rendering (Ra)	>80
Color Temperature (K)	3000 4000*
Body Color	White Black

IP 20	112 x 32 mm	CE	□
KG	0.5 kg		
Box	17 x 13 x 9 cm		

Supply Voltage:
220-240 Vac, 50Hz

Driver:
DALI | Dimmable version available upon request

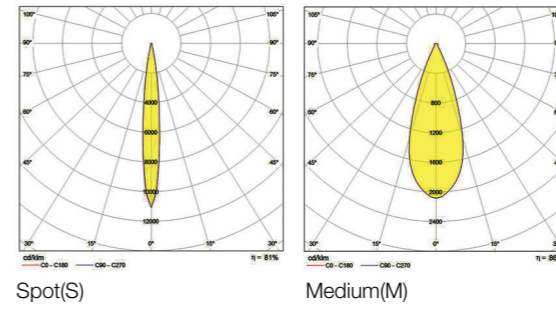
Recommended Applications:
Residential | Office | Shop | Museum | Gallery

*Customized body colors and other color temperatures (CCTs) are available upon request

Specific design of the bottom frame with its strips reduce the direct view to the light point and of course glare

Merbo Micro RA Twin

Light distributions



Order code table

Body Color	3000K	Length (cm)	4000K	Body Color
White	F194W1830S	Spot	F194W1840S	White
	F194W1830M	Medium	F194W1840M	
Body Color	3000K	Length (cm)	4000K	Body Color
Black	F194B1830S	Spot	F194B1840S	Black
	F194B1830M	Medium	F194B1840M	