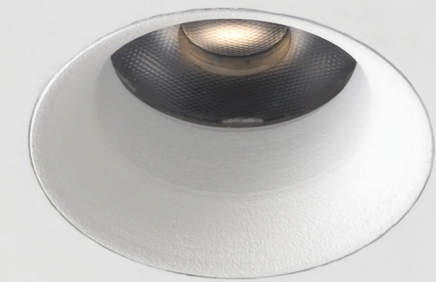


Eyren Mini

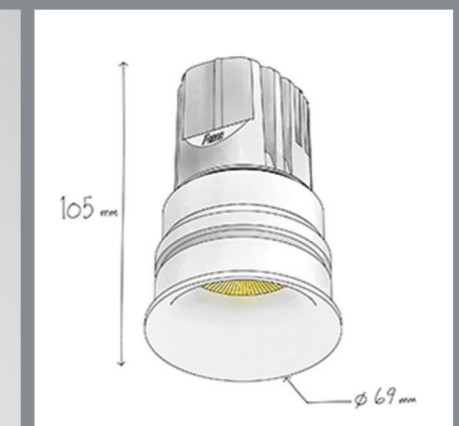
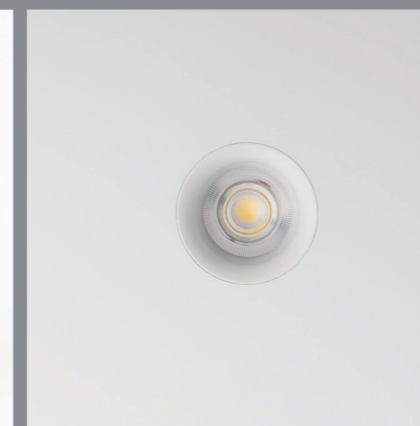
Ceiling Recessed



Eyren Mini

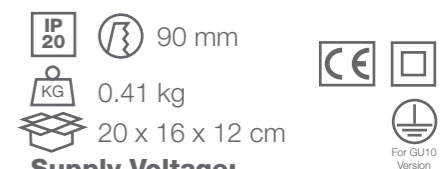


Ceiling Recessed



CODE	F191
Light source	LED
Power (W)	12
luminous flux (lm)	1300
Color Rendering (Ra)	>80
Color Temperature (K)	3000 4000*
Body Color	White Black Gold Chrome Copper*

*Customized body colors and other color temperatures (CCTs) are available upon request



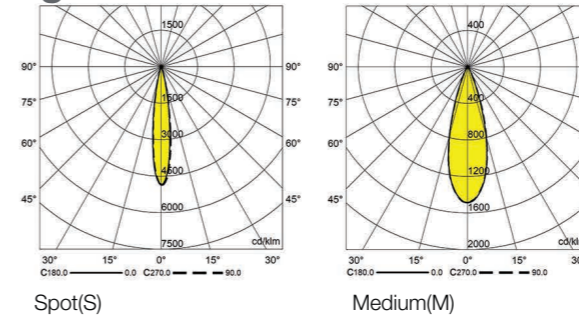
Supply Voltage:
220-240 Vac, 50Hz

Driver:
DALI | Dimmable version available upon request

Recommended Applications:
Residential | Office | Shop

Eyren Mini

Light distributions



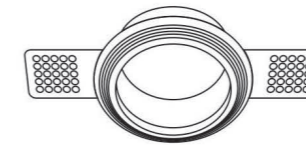
Accessories

Optional



LED GU10 Lamp
Order code: 10020101

Mandatory



Trimless Installation Kit
Order code: 2191924121

Order code table

Body Color	3000K	Beam Angle	4000K	Body Color
White	F191W930S	Spot	F191W940S	White
	F191W930M	Medium	F191W940M	
Black	F191B930S	Spot	F191B940S	Black
	F191B930M	Medium	F191B940M	
Gold	F191PJ930S	Spot	F191PJ940S	Gold
	F191PJ930M	Medium	F191PJ940M	
Chrome	F191PI930S	Spot	F191PI940S	Chrome
	F191PI930M	Medium	F191PI940M	
Copper	F191PC930S	Spot	F191PC940S	Copper
	F191PC930M	Medium	F191PC940M	

Order code for GU10 Version**

Body Color	Body Code	Body Code	Body Color
White	F191WG	F191BG	Black

**Lamp is not Included