

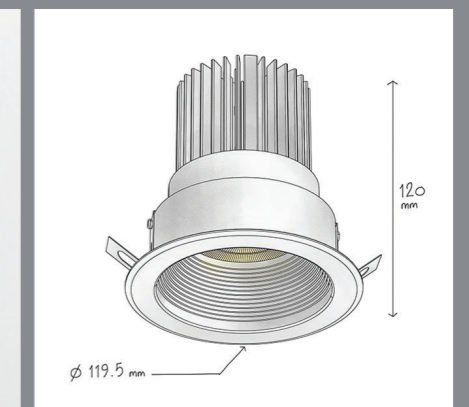
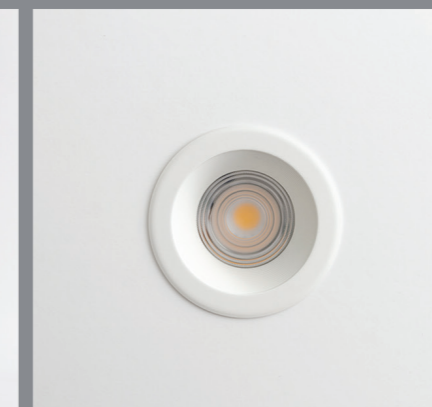
Sibron C Midi

Ceiling Recessed




Sibron C Midi

Ceiling Recessed



CODE	F137
Light source	LED
Power (W)	20
luminous flux (lm)	2200
Color Rendering (Ra)	>80
Color Temperature (K)	3000 4000*
Body Color	White Black*

IP 20  102 mm   

 0.74 kg

 20 x 16 x 12.3 cm

Supply Voltage:
220-240 Vac, 50Hz

Driver:
DALI | Dimmable version available upon request

Recommended Applications:
Office | Shop

*Customized body colors and other color temperatures (CCTs) are available upon request

Specific design of the bottom frame with its strips reduce the direct view to the light point and of course glare

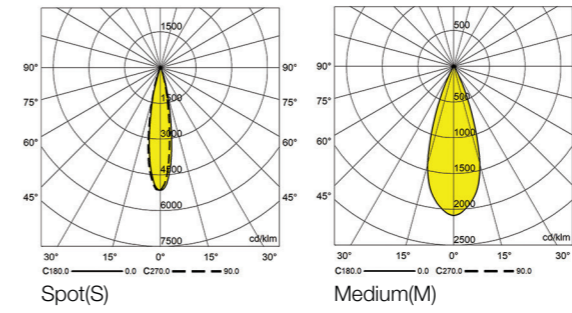


▲ Dorine Stone / Architect: ZAV 2018 ▼



Sibron C Midi

Light distributions



Order code table

Body Color	3000K	Beam Angle	4000K	Body Color
White	F137W2030S	Spot	F137W2040S	White
	F137W2030M	Medium	F137W2040M	
Body Color	3000K	Beam Angle	4000K	Body Color
Black	F137B2030S	Spot	F137B2040S	Black
	F137B2030M	Medium	F137B2040M	