

Belta

Track Light

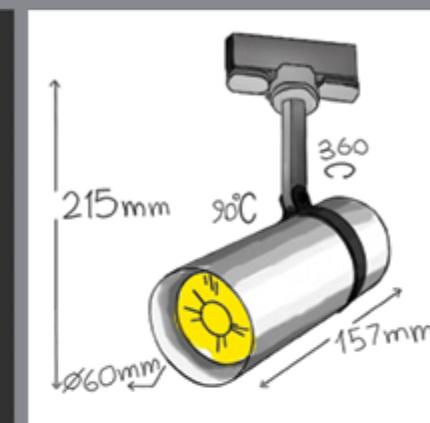
Honorable Mention

EUROPEAN
PRODUCT
DESIGN
AWARD



Belta

Track Light



CODE	F390
Light source	LED
Power (W)	12
luminous flux (lm)	1300 1320
Color Rendering (Ra)	>80
Color Temperature (K)	3000 4000*
Body Color	White Black Brushed Gold/Copper/Alu*

IP 20

KG 0.74

20 x 16 x 12.3

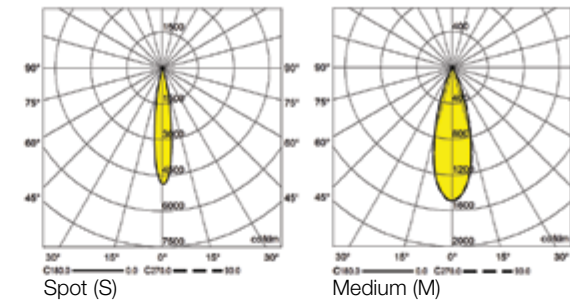
Supply Voltage:
220-240 Vac, 50Hz

Recommended Applications:
Residential | Office | Shop | Gallery
Museum

Elegant Design, fascinating surface treatment
European Product Design Award 2020

Belta

Light distributions



Accessories

Track



Refer to page 194



Order code table

Body Color	3000K	Beam Angle	4000K	Body Color
White	F390W1230S	Spot	F390W1240S	White
	F390W1230M	Medium	F390W1240M	
Black	F390B1230S	Spot	F390B1240S	Black
	F390B1230M	Medium	F390B1240M	
Brushed Copper	F390BC1230S	Spot	F390BC1240S	Brushed Copper
	F390BC1230M	Medium	F390BC1240M	
Brushed Gold	F390BG1230S	Spot	F390BG1240S	Brushed Gold
	F390BG1230M	Medium	F390BG1240M	
Brushed Alu	F390BA1230S	Spot	F390BA1240S	Brushed Alu
	F390BA1230M	Medium	F390BA1240M	

*Customized body colors and other color temperatures (CCTs) are available upon request