

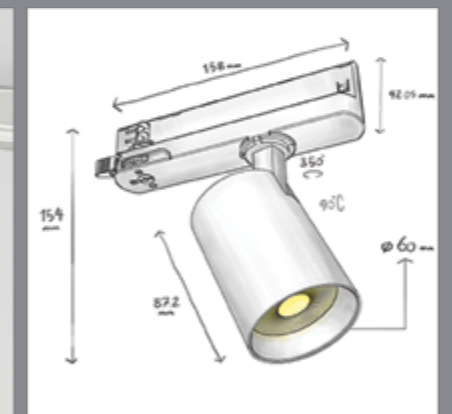
Merbo Mini

Track Light



Merbo Mini

Track Light



CODE	F340
Light source	LED
Power (W)	12
luminous flux (lm)	1300 1320
Color Rendering (Ra)	>80
Color Temperature (K)	3000 4000*
Body Color	White Black Brushed Gold/Copper/Alu*

IP 20 ϕ 60 mm (For RA Version)

KG 0.46

20 x 16 x 12.3

Supply Voltage:

220-240 Vac, 50Hz

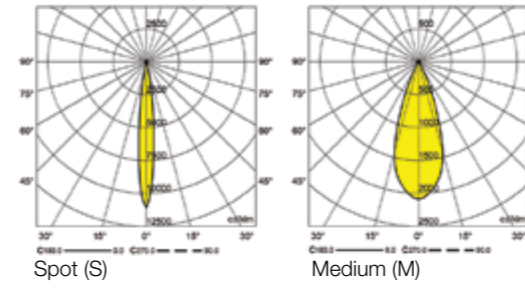
Recommended Applications:

Residential | Office | Shop | Gallery
Museum



Merbo Mini

Light distributions



Spot (S)

Medium (M)

Accessories

Track



Refer to page 194

Order code table

Body Color	3000K	Beam Angle	4000K	Body Color
White	F340W1230S	Spot	F340W1240S	White
	F340W1230M	Medium	F340W1240M	
Black	F340B1230S	Spot	F340B1240S	Black
	F340B1230M	Medium	F340B1240M	
Brushed Copper	F340BC1230S	Spot	F340BC1240S	Brushed Copper
	F340BC1230M	Medium	F340BC1240M	
Brushed Gold	F340BG1230S	Spot	F340BG1240S	Brushed Gold
	F340BG1230M	Medium	F340BG1240M	
Brushed Alu	F340BA1230S	Spot	F340BA1240S	Brushed Alu
	F340BA1230M	Medium	F340BA1240M	

*Customized body colors and other color temperatures (CCTs) are available upon request